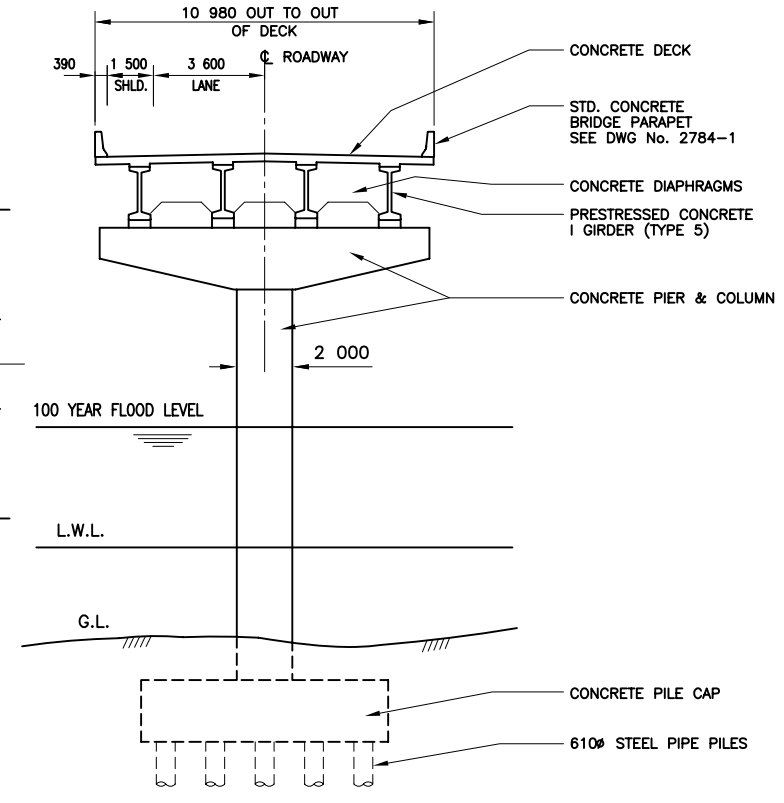
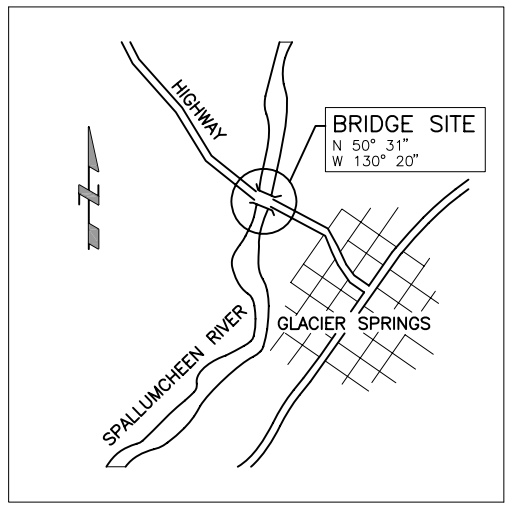


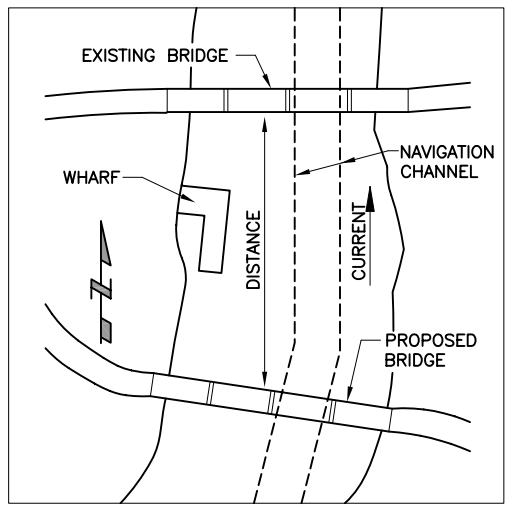
PLAN  
SCALE 1:500



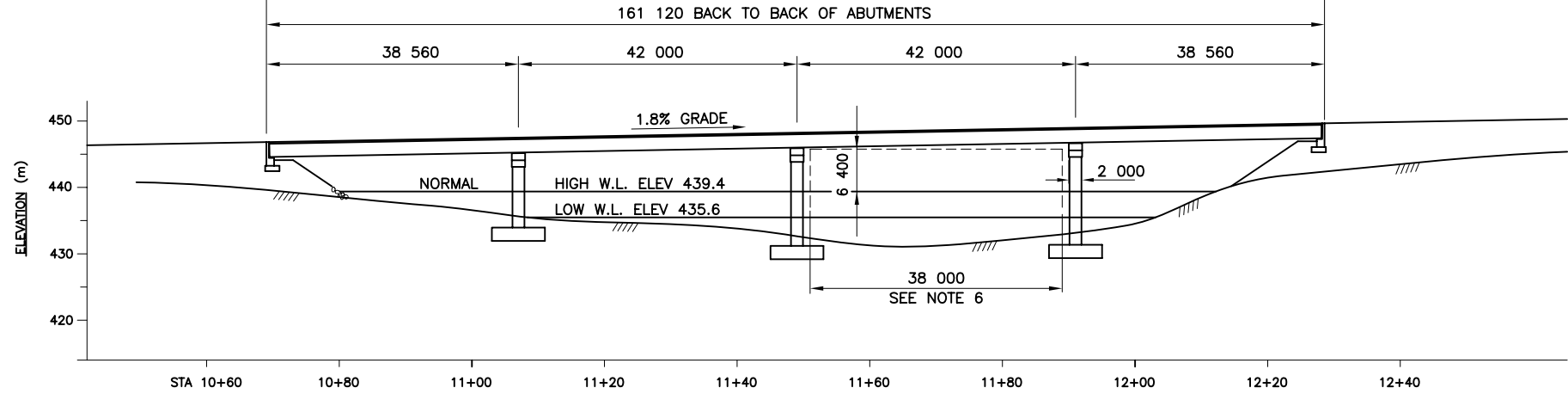
SECTION  
SCALE 1:125



KEY MAP  
SCALE



NAVIGATIONAL PLAN  
SCALE (IF REQUIRED)



ELEVATION  
SCALE 1:500

NOTES:

1. WHEN POSSIBLE ALIGN PIERS WITH WATER FLOW OR WITHIN 20°. PIERS SHOULD HAVE SMOOTH SURFACES.
2. SHOW ANY EXISTING NEARBY STRUCTURES AND NOTE IF THEY ARE TO BE REMOVED.
3. FOR NONTIDAL WATERS USE 100 YEAR FLOOD LEVEL AND FOR TIDAL WATERS USE HIGHER HIGH WATER, LARGE TIDE ELEVATION.
4. USE CHART DATA FOR WATER LEVELS WHEN POSSIBLE.
5. INDICATE PROPOSED PIER/CLEARANCE MARKERS OR LIGHTS AS MAY BE REQUIRED.
6. CHANNEL WIDTH TO BE MEASURED RIGHT ANGLES TO WATER FLOW. MAIN CHANNEL ON SMALL WATERWAYS SHOULD BE THE DEEPEST CHANNEL (THELWAG).
7. LONGITUDE & LATITUDE (DEGREES MINUTES & SECONDS).

I CERTIFY THAT A DUPLICATE OF THIS PLAN WAS DEPOSITED IN THE BC LAND TITLE & SURVEY OFFICE AT \_\_\_\_\_, PROVINCE OF BRITISH COLUMBIA, ON THE \_\_\_\_\_ DAY OF \_\_\_\_\_ 20\_\_\_\_ UNDER THE PROVISIONS OF THE NAVIGABLE WATERS PROTECTION ACT.

REGISTRAR

Rev	Date	Description	Init
A	03/31/07	GENERAL REVISIONS	

REVISIONS



HIGHWAY DISTRICT  
HIGHWAY  
BRIDGE  
N.W.P.A APPLICATION LAYOUT (SAMPLE)

PREPARED UNDER THE DIRECTION OF	DESIGNED _____ DATE _____
ENGINEER OF RECORD CHIEF BRIDGE ENGINEER	CHECKED _____ DATE _____
DATE	DRAWN _____ DATE 11/90
FILE No.	SCALE AS NOTED
PROJECT No.	NEGATIVE No.
REG.	DRAWING No.