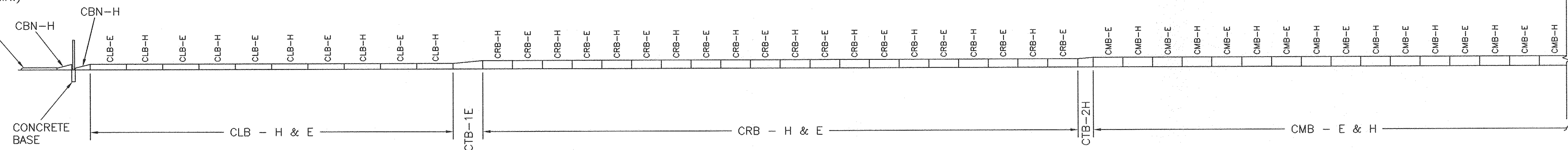
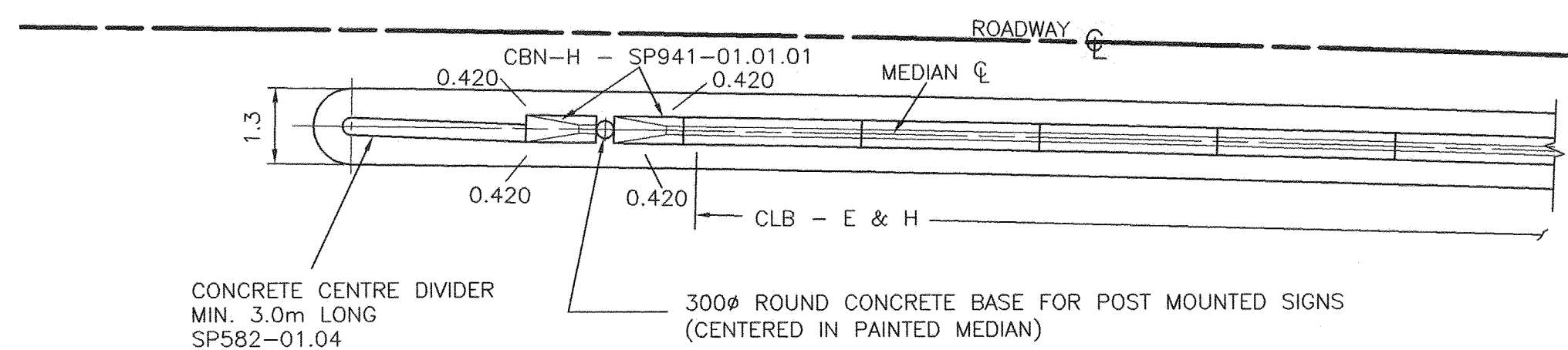
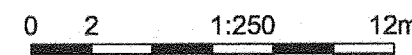


CONCRETE CENTRE DIVIDER (3.0m MIN.)



RE-PAINT THE LINES AS NEEDED

BARRIER LAYOUT FOR NORTH LEG OF 48 AVENUE INTERSECTION (SOUTH END OF THE PROJECT)



DETAIL 'A'



DETAILS OF CONCRETE BARRIER COMPONENTS

STATION TO STATION	No. OF UNITS											
	CBN-H	CLB-E	CLB-H	CTB-1E	CRB-H	CRB-E	CTB-2H	CMB-H		CMB-E	CMB-H	
	SP941-01.01.01	SP941-01.01.02	SP941-01.01.02	SP941-03.01.01	SP941-01.02.01 W. DRAIN SLOT	SP941-01.02.02 W. DRAIN SLOT	SP941-03.02.01	SP941-02.01.01		SP941-02.01.02		SP941-02.01.10
81+28 to 105+27	3	5	5	2	10	10	2	REGULAR	W. DRAIN SLOT	REGULAR	W. DRAIN SLOT	23
								291	170	276	161	

APPROXIMATE STATIONS FOR CMBB-E (CMB WITH LARGE DRAINAGE OPENINGS)

82+28	88+28	94+27	100+27
83+28	89+28	95+27	101+27
84+28	90+28	96+27	102+27
85+28	91+28	97+27	103+27
86+28	92+28	98+27	104+27
87+28	93+28	99+27	

APPROXIMATE STATION RANGES FOR PLACEMENT OF CMB WITH DRAINAGE SLOTS

81+67 to 83+60
88+30 to 91+60
96+00 to 99+80

NOTE:

- FOLLOWING SPECIAL CMB UNITS MIGHT BE NEEDED FOR PROPER LAYOUT AND PLACEMENT.
- CMB-HE (ONE END WITH HOOK AND OTHER END WITH EYE) - 1 No.
- THREE QUARTER CMB-H (1875mm LONG CMB-H) - 3 No.s

SCALE AS SHOWN	CAD FILENAME _____
REV DATE	DATE
REVISIONS	SIGNATURE

BRITISH COLUMBIA
MINISTRY OF TRANSPORTATION AND INFRASTRUCTURE
HIGHWAY ENGINEERING
SOUTHERN INTERIOR REGION

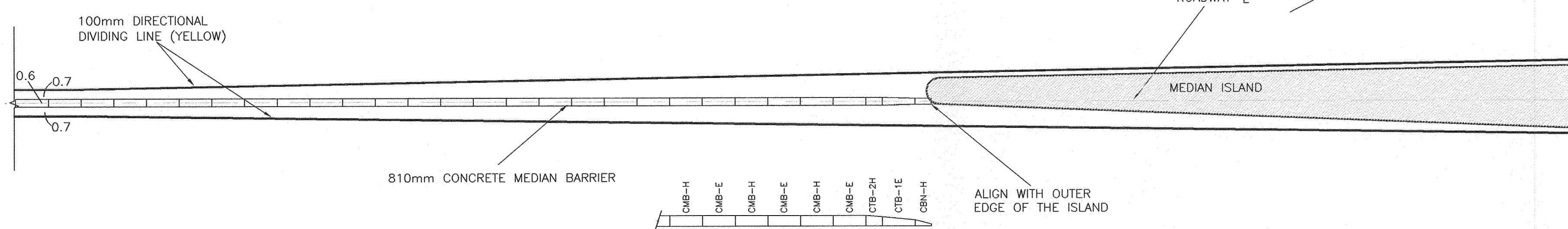
DESIGNED W.WIDYARATNE DATE 2017-01
QUALITY CONTROL B.HEDDERSON DATE 2017-01
QUALITY ASSURANCE G.RVINE DATE 2017-01
DRAWN W.WIDYARATNE DATE 2017-01

SENIOR DESIGNER
DATE JULY 31, 2017

NEW SIGNS REQUIRED

SIGN	POSTS	DESCRIPTION	LOCATION
R-014-R	1 POST	Median symbol (keep) RIGHT ARROW	81+33
W-054-L		Hazard marker - left	
W-125	1 POST	Vision Limited	92+00 LT

BARRIER LAYOUT FOR SOUTH LEG OF STICKLE RD INTERSECTION (NORTH END OF THE PROJECT)



TYPICAL LAYOUT AND DETAILS
HWY 97 MEDIAN BARRIER
48 AVENUE TO STICKLE ROAD

FILE NUMBER	PROJECT NUMBER	REG	DRAWING NUMBER
2800	24465-0001	2	R2-1005-102