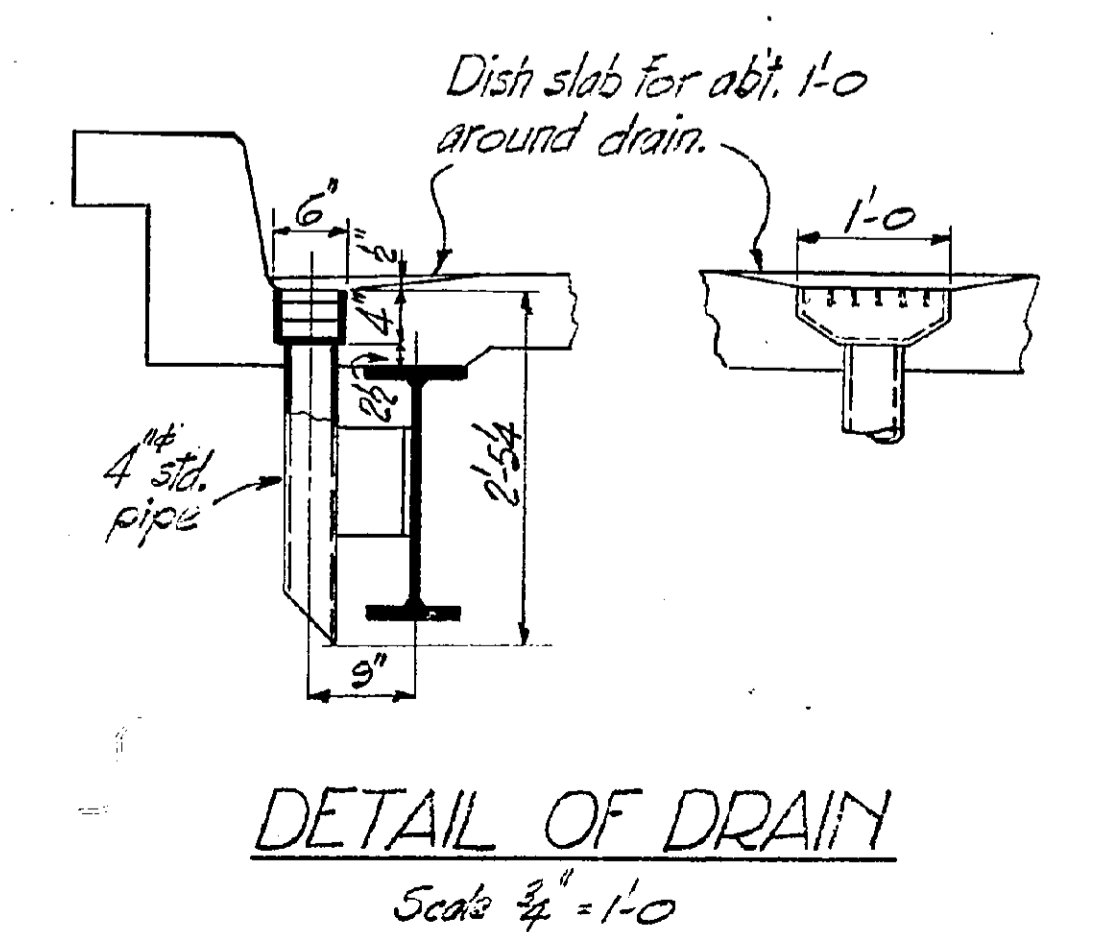
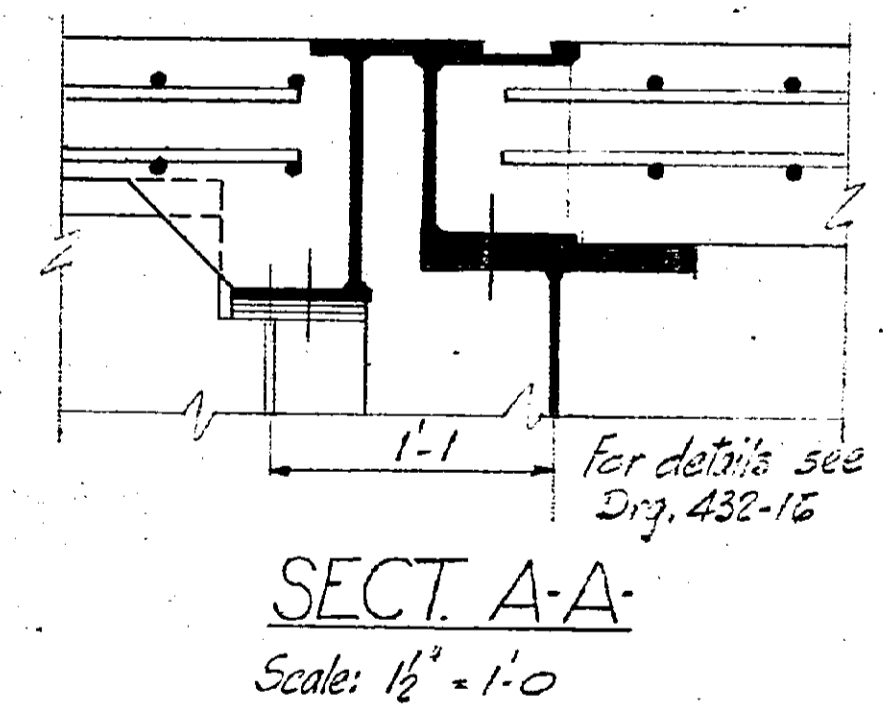
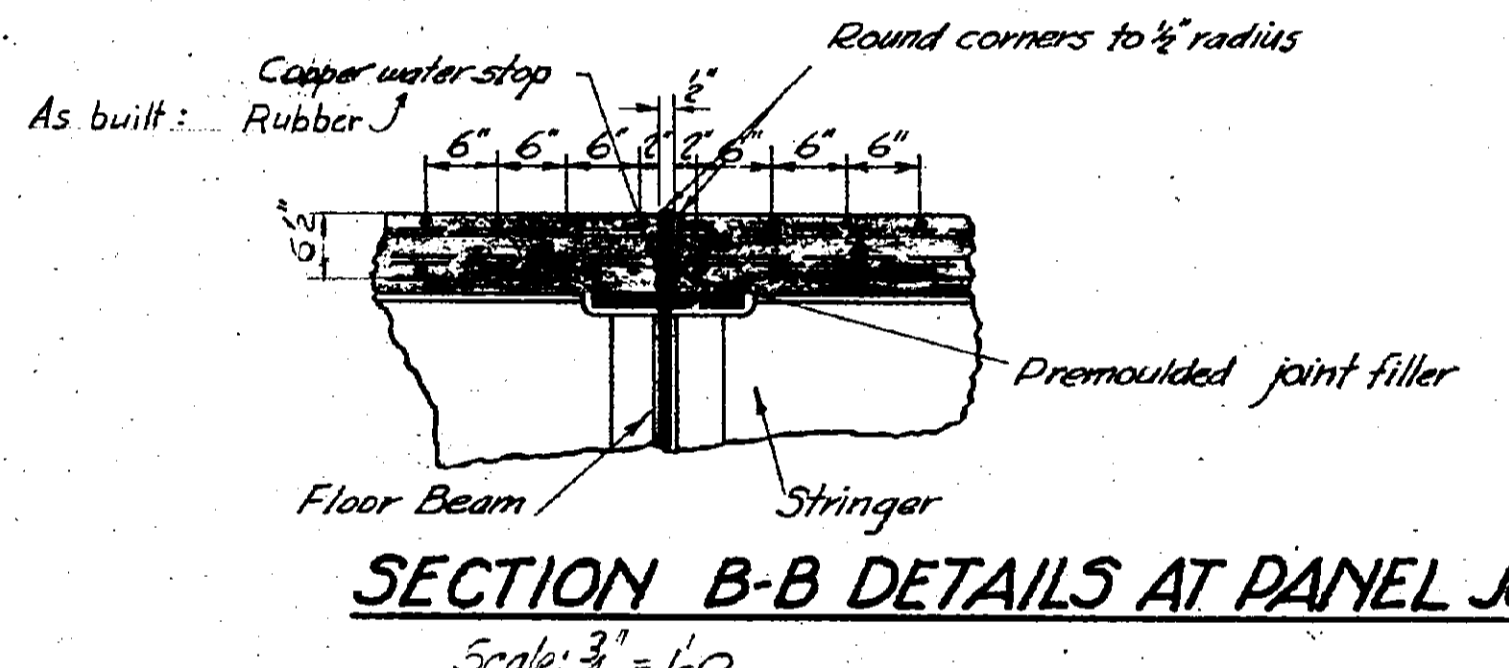
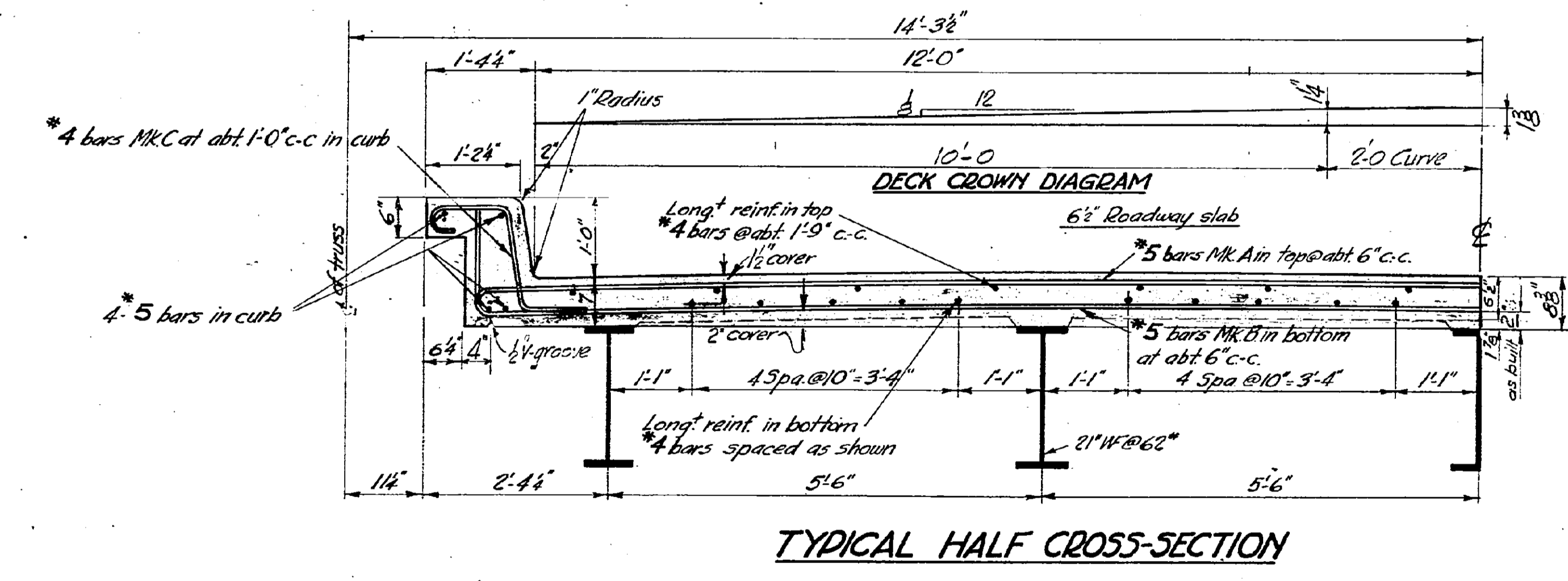


LIST OF REINFORCING STEEL

LOCATION	MARK	NUMBER	SIZE	LENGTH	BENDING DIAGRAM	WEIGHT
Top Transverse in Roadway Slab	A	450	*5			
Bottom do	B	450	do			
Transverse in curb	C	464	*4			
Longitudinal in curbs Panel A		16	*5	22'-3"	Straight bars	
do Panel B		64	do	22'-2"	do	
Longitudinal in Roadway slab Panel A		68	*4	22'-8"	do	
do Panel B		272	do	22'-2"	do	
		340	1/8		15 Ga Black Annealed Wire	
TOTAL (lbs)						32740



- Notes**
- All concrete to be Class A.
 - All exposed edges of concrete to have 1/2" chamfer unless noted.
 - Reinforcing generally to have 2" cover except where noted.

Quantity of concrete required for deck: 137 cu. yds.

CRANBROOK DISTRICT
KOOTENAY - COLUMBIA HIGHWAY
SPRINGBROOK BRIDGE
225 FT. TRUSS-DECK DETAILS
SCALE: 1/4" = 1'-0" AS NOTED

REVISIONS	GOVT. OF BRITISH COLUMBIA DEPT. OF PUBLIC WORKS BRIDGE ENGINEER'S OFFICE		
Rev.	Particulars	Init.	Date
A	Slab thickness as built	J.P.	Oct 21-57

Drawn by	H.C.	Date	Oct 7, 1953	DRAWING No. BRIDGES 432-14
Checked by	A.C.S.	Date	Nov 23, 1953	
Approved:	<i>[Signature]</i>			

Cancel prints bearing earlier letter