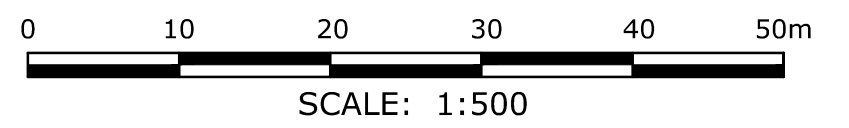
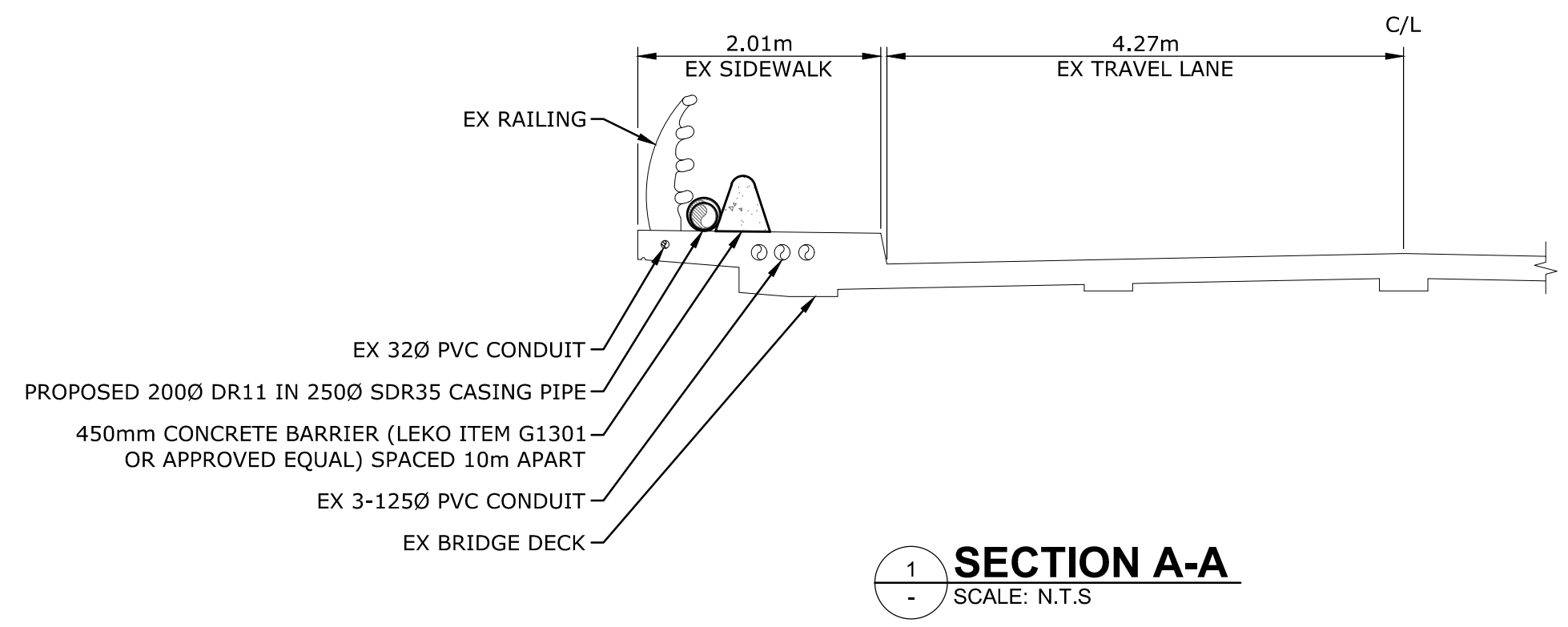


**NOTE:**  
- ALL FITTINGS AND PVC PIPE TO BE RESTRAINED USING JOINT RETRAINTS



USER: daren  
 CTB: mnae-pantelour.ctb  
 LAYOUT: WAT1  
 PLOTTED: 2017-05-16 - 2:21 PM  
 XREFS: 1584.18-BASE-E.dwg, 1584.18-LEG-E.dwg, 1584.18-UTL-E.dwg, 1584.18-DSCN-A.dwg  
 IMAGES: 0311-DRAFT Page 001.jpg, 0311-DRAFT Page 002.jpg, DWG # 311-29\_250 Watermain X-ing River.jpg, Energy\_10cm\_2011\_mosaic2\_2.tif  
 FILE: z:\mead\projects\1584.18 - Shuswap water crossings\Drawings\sheets\1584.18-plans (2).dwg

**LEGEND:**

- - - EXISTING EDGE OF ASPHALT
- EXISTING WATER SUPPLY
- EXISTING WATER DISTRIBUTION
- EXISTING WATER SUPPLY/DISTRIBUTION
- PROPOSED WATER
- - EXISTING CAP
- - EXISTING REDUCER
- - EXISTING WATER MANHOLE
- - EXISTING WATER VALVE
- - EXISTING FIRE HYDRANT

**MONAGHAN**  
 ENGINEERING & CONSULTING LTD.  
 3710B 28th Street, Ph: (250) 503-1023  
 Vernon, BC, V1T 9X2 Fax: (250) 503-1024

Scale	1:500
Date	24-APR-2017
Designed	
Drawn	DCR
Checked	

**CITY OF ENDERBY**  
**SHUSWAP RIVER WATERMAIN CROSSING**  
**TEMPORARY WATERMAIN**  
**PLAN**

Project No.	1584.18
Client File No.	
Sheet No.	01 OF 01
Drawing No.	WAT1
Rev.	1

Rev.	Date	By	Description
1	15-MAY-2017	DCR	REVISED ALIGNMENT AND ADDED NO POSTS

FOR APPROVAL