


| REV | DATE | REVISIONS | SIGNATURE |
|-----|------|-----------|-----------|
| | | | |
| | | | |
| | | | |

CAD FILENAME _____ DATE _____



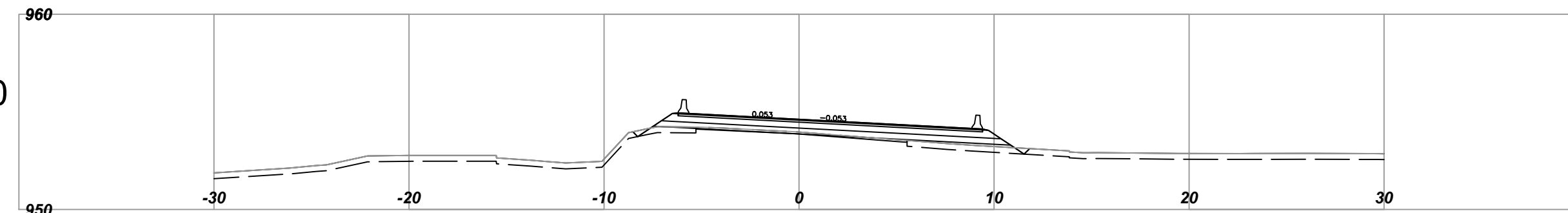
MINISTRY OF TRANSPORTATION AND INFRASTRUCTURE
SOUTHERN INTERIOR REGION
HIGHWAY ENGINEERING AND GEOMATICS

DESIGNED T. EVELAND DATE 2016-05-25
QUALITY CONTROL M. HAWKINS DATE 2016-06-09
QUALITY ASSURANCE L. GARAND DATE 2016-11-26
DRAWN T. EVELAND DATE 2016-05-25

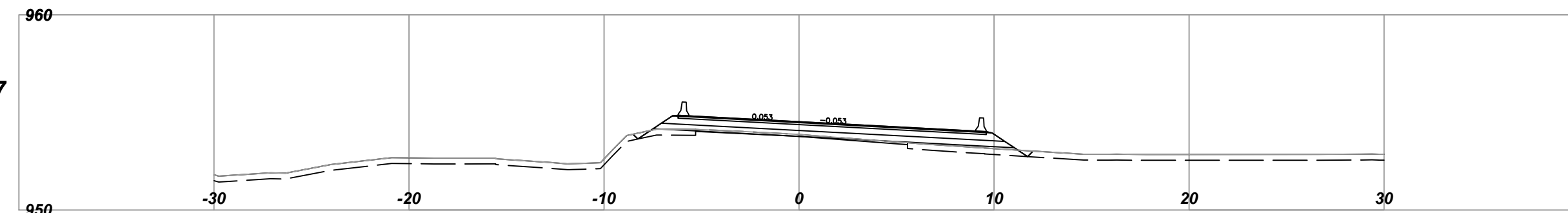
SENIOR DESIGNER _____
DATE YYYY-MM-DD

| | | | |
|----------------------------------|----------------|-----|----------------|
| SECTIONS | | | |
| HIGHWAY No.3/ 95 -SWANSEA BRIDGE | | | |
| BRIDGE No.0764 | | | |
| GRADING AND PAVING | | | |
| STA 102+50.000 TO STA 103+70.000 | | | |
| FILE NUMBER | PROJECT NUMBER | REG | DRAWING NUMBER |
| 1634 | 23690-0000 | 2 | SHEET 1 |

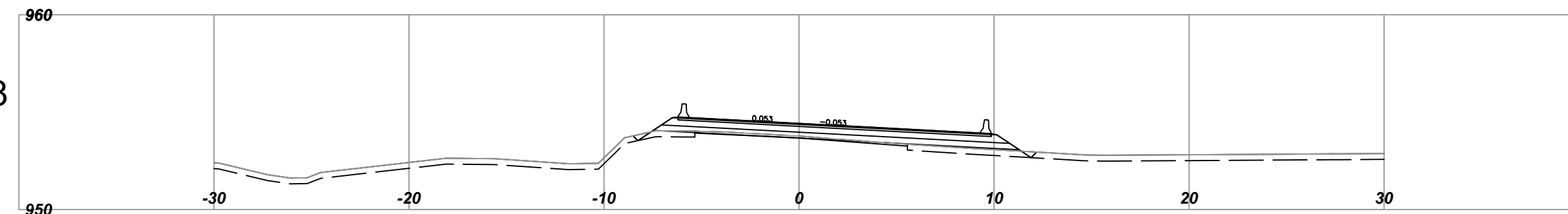
Date: 2017-01-31
 Station:
 104+30.000



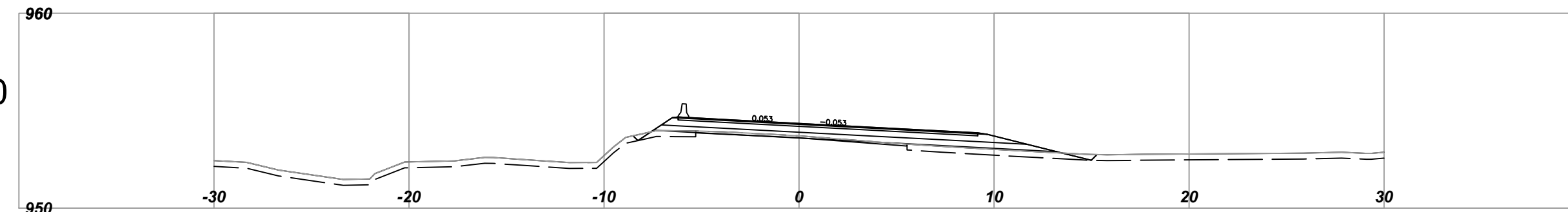
Date: 2017-01-31
 Station:
 104+26.457



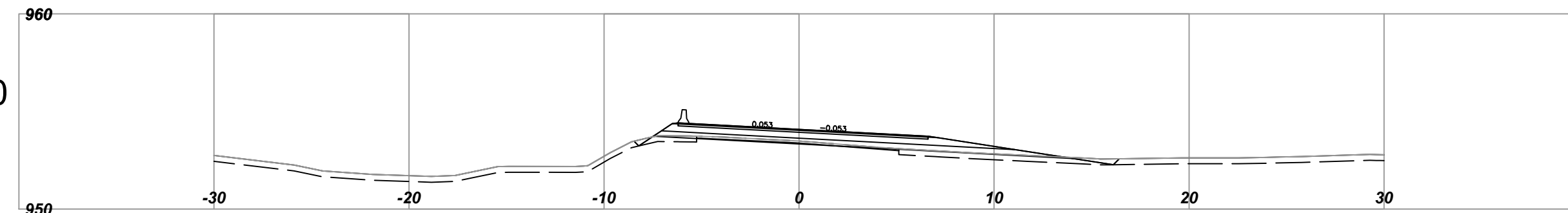
Date: 2017-01-31
 Station:
 104+22.678



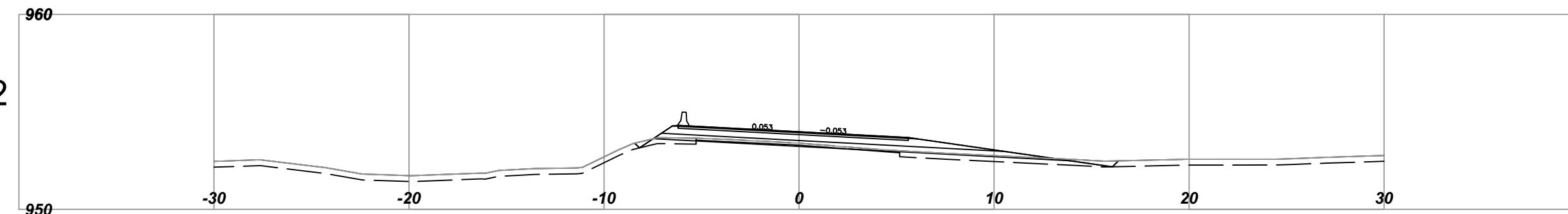
Date: 2017-01-31
 Station:
 104+20.000



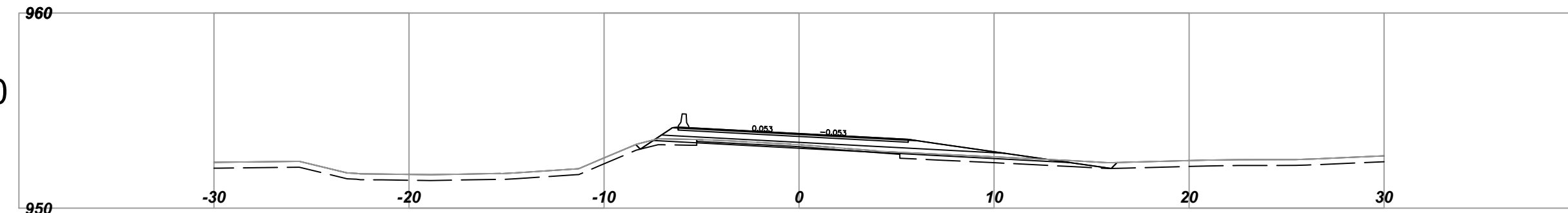
Date: 2017-01-31
 Station:
 104+10.000



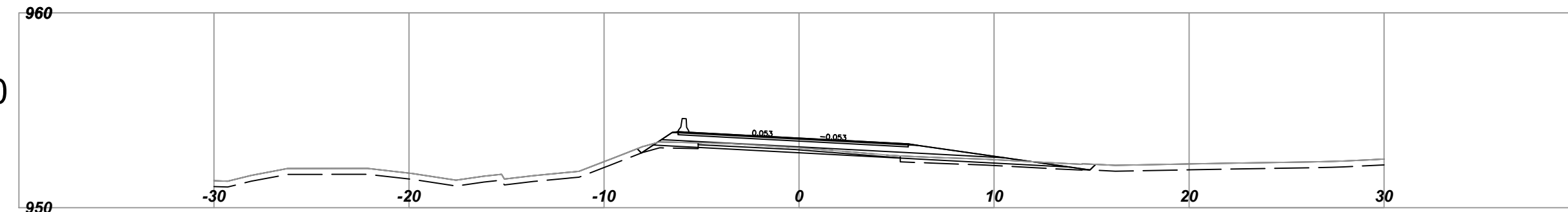
Date: 2017-01-31
 Station:
 104+06.022



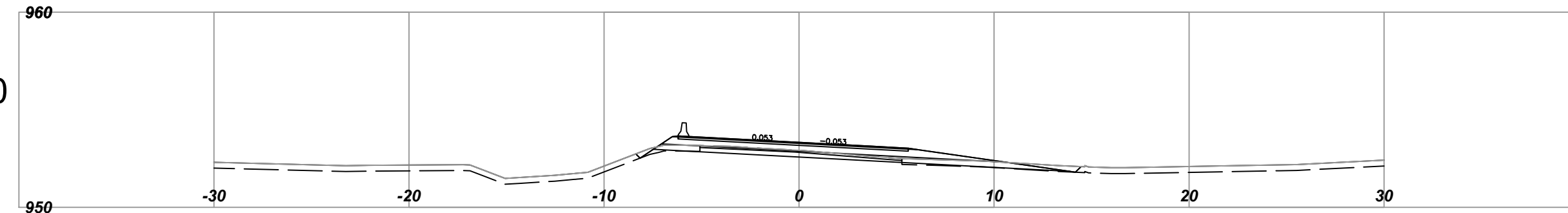
Date: 2017-01-31
 Station:
 104+00.000



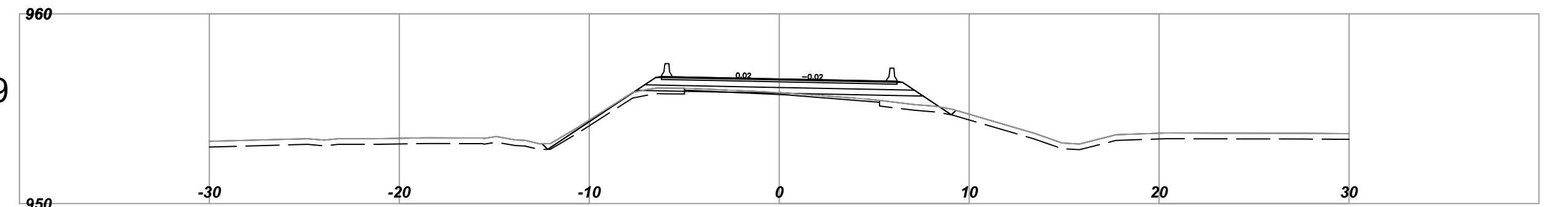
Date: 2017-01-31
 Station:
 103+90.000



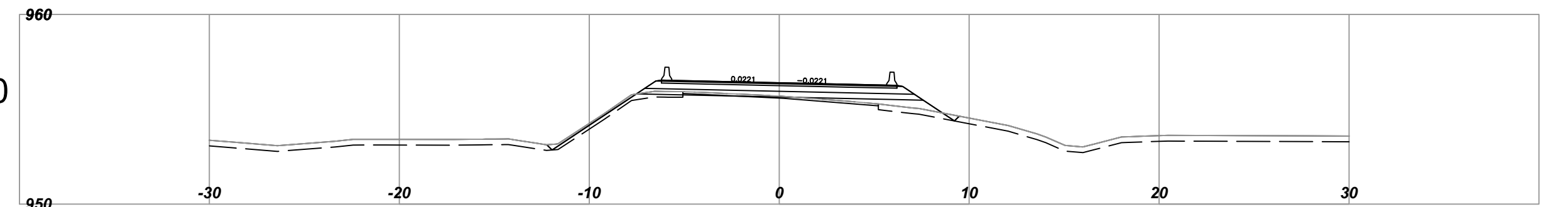
Date: 2017-01-31
 Station:
 103+80.000



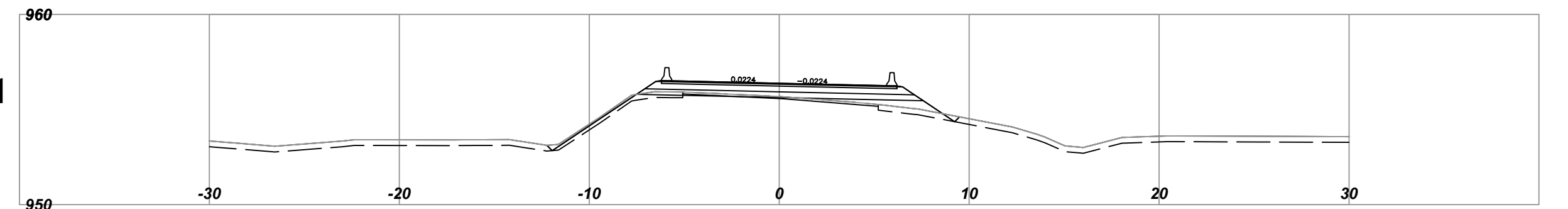
Date: 2017-01-31
 Station:
 104+95.449



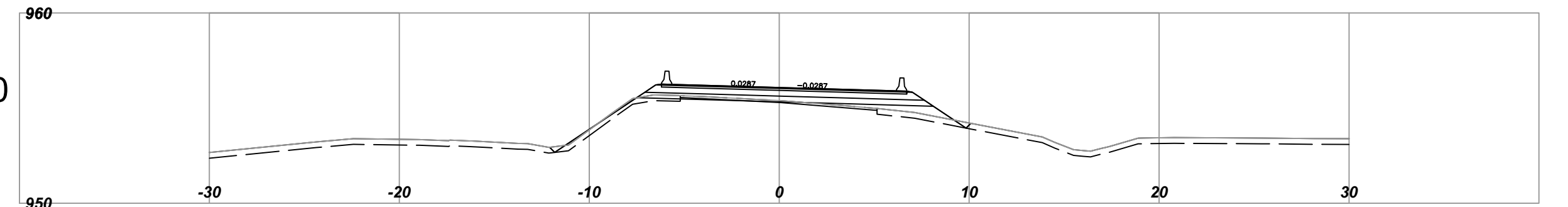
Date: 2017-01-31
 Station:
 104+90.000



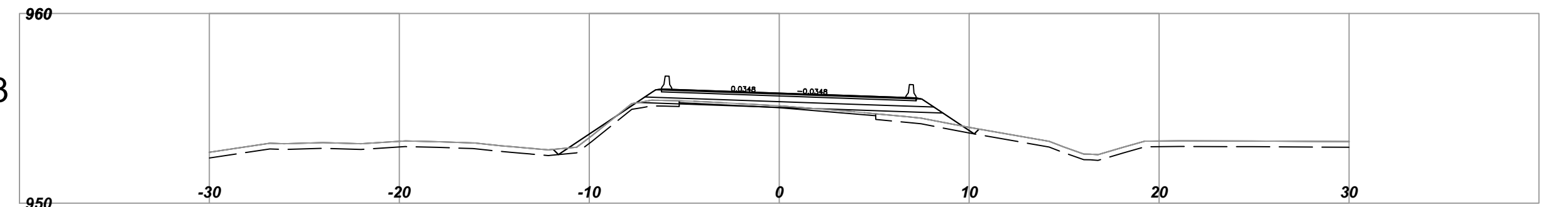
Date: 2017-01-31
 Station:
 104+89.571



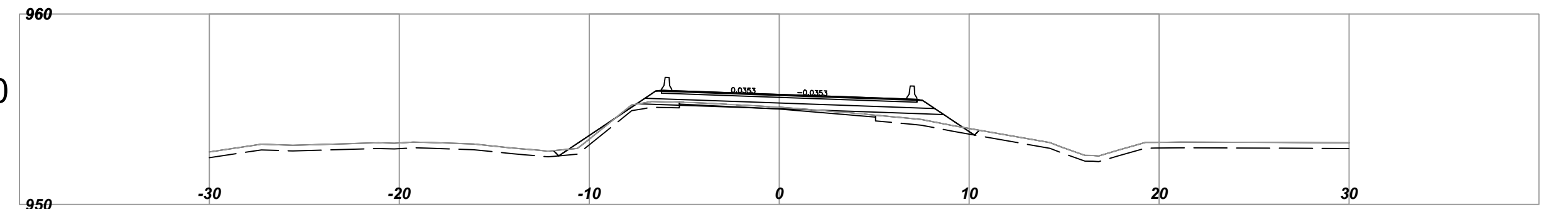
Date: 2017-01-31
 Station:
 104+80.000



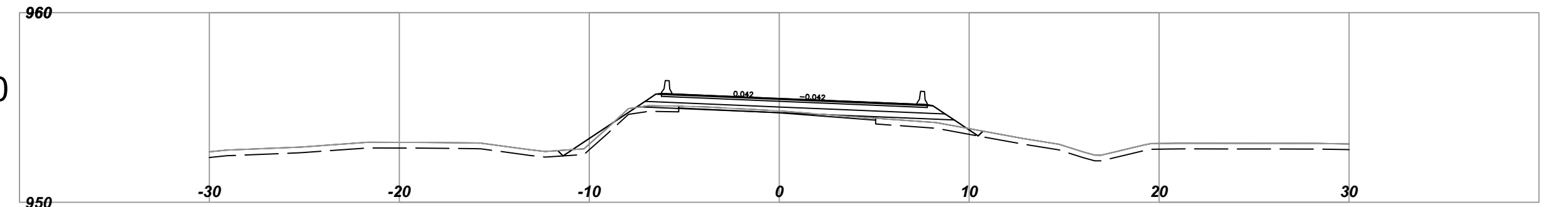
Date: 2017-01-31
 Station:
 104+70.813



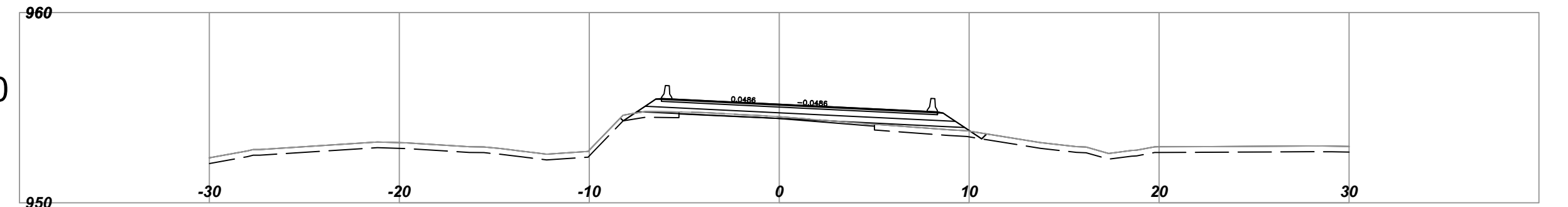
Date: 2017-01-31
 Station:
 104+70.000



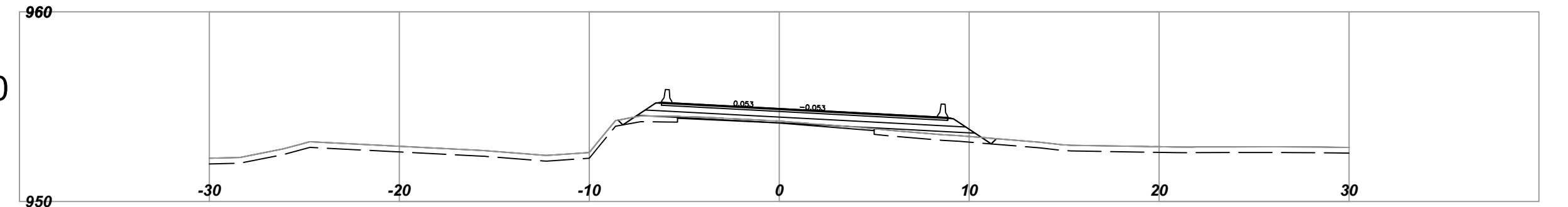
Date: 2017-01-31
 Station:
 104+60.000



Date: 2017-01-31
 Station:
 104+50.000



Date: 2017-01-31
 Station:
 104+40.000



SCALE 0 2 1:250 12m

| REV | DATE | REVISIONS | SIGNATURE |
|-----|------|-----------|-----------|
| | | | |
| | | | |
| | | | |



MINISTRY OF TRANSPORTATION
 AND INFRASTRUCTURE
 SOUTHERN INTERIOR REGION
 HIGHWAY ENGINEERING AND GEOMATICS



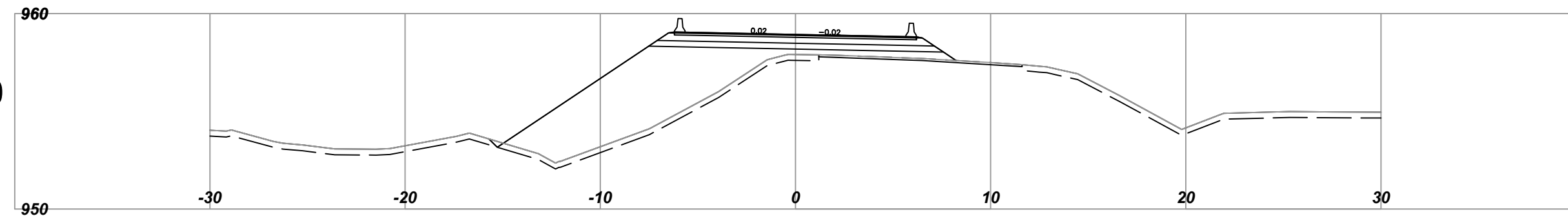
SENIOR DESIGNER
 DATE: YYYY-MM-DD

DESIGNED: T. EVELAND DATE: 2016-05-25
 QUALITY CONTROL: M. HAWKINS DATE: 2016-06-09
 QUALITY ASSURANCE: L. GARAND DATE: 2016-11-26
 DRAWN: T. EVELAND DATE: 2016-05-25

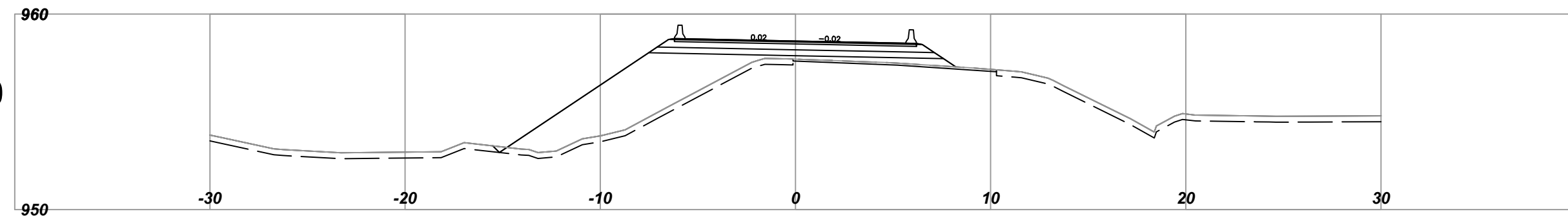
SECTIONS
 HIGHWAY No.3/ 95 -SWANSEA BRIDGE
 BRIDGE No.0764
 GRADING AND PAVING
 STA 103+80.000 TO STA 104+95.449

| | | | | |
|-------------|----------------|-----|----------------|-----|
| FILE NUMBER | PROJECT NUMBER | REG | DRAWING NUMBER | REV |
| 1634 | 23690-0000 | 2 | SHEET 2 | |

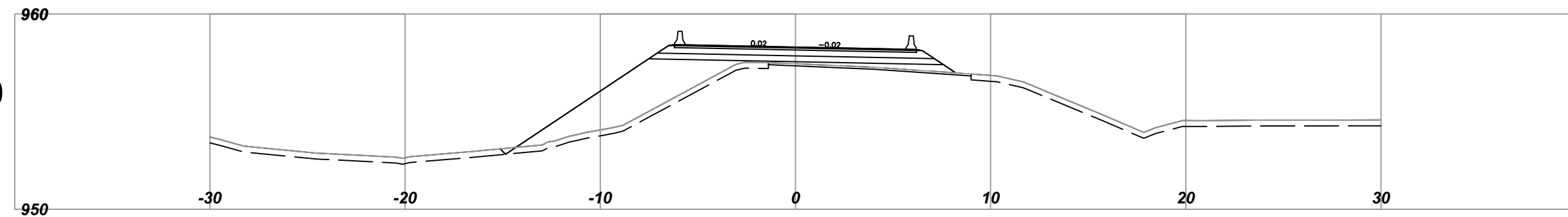
Date: 2017-01-31
Station:
105+70.000



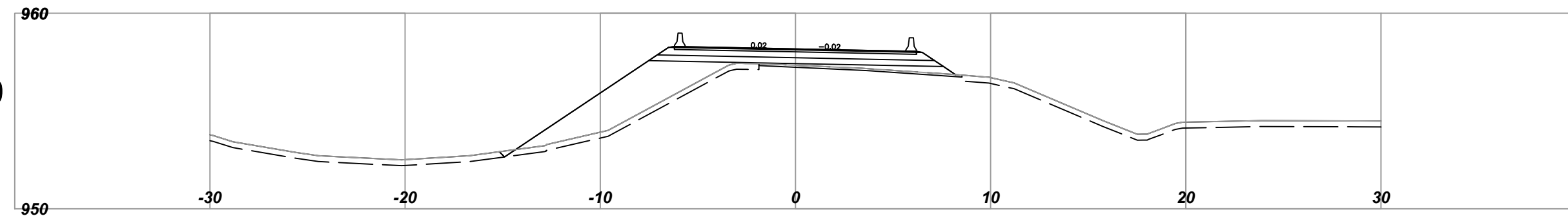
Date: 2017-01-31
Station:
105+60.000



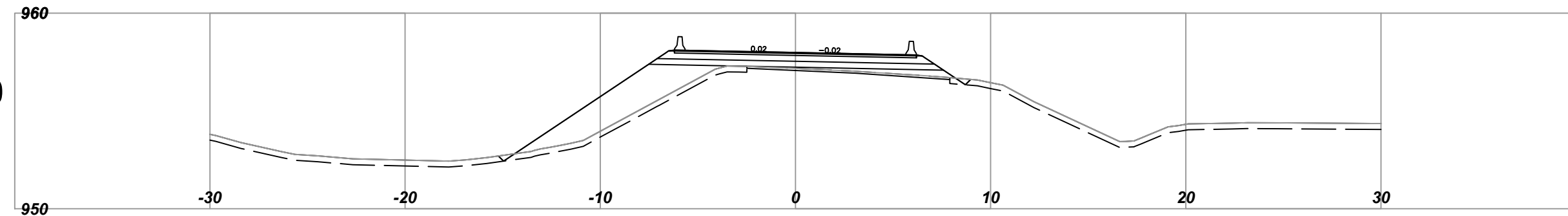
Date: 2017-01-31
Station:
105+50.000



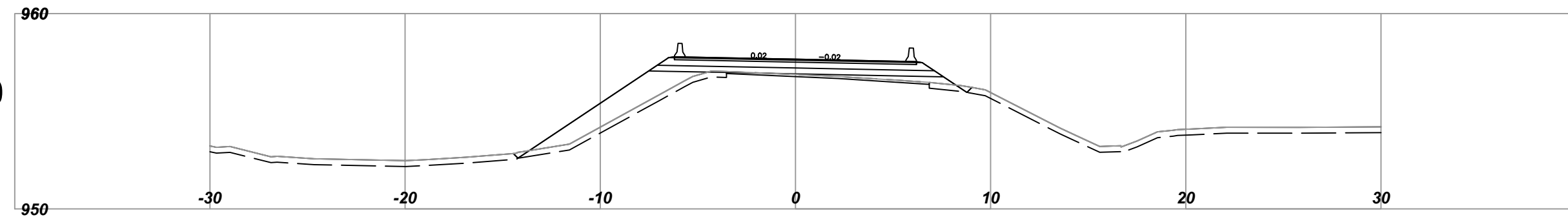
Date: 2017-01-31
Station:
105+45.929



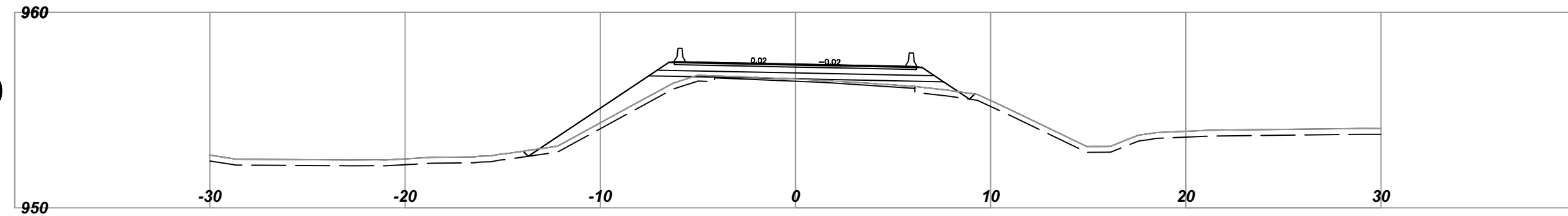
Date: 2017-01-31
Station:
105+40.000



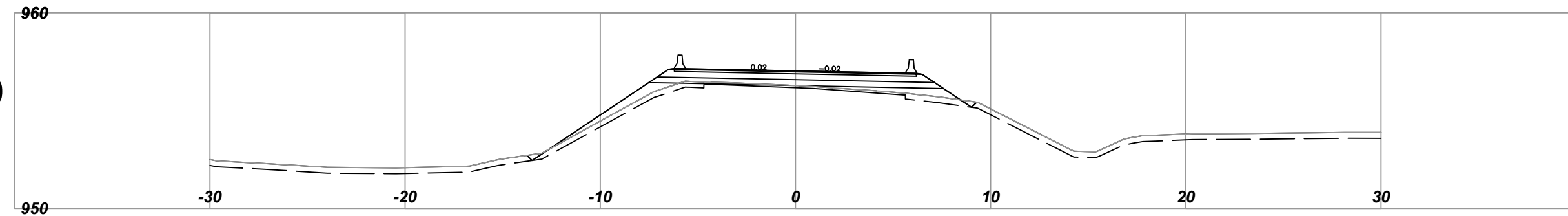
Date: 2017-01-31
Station:
105+30.000



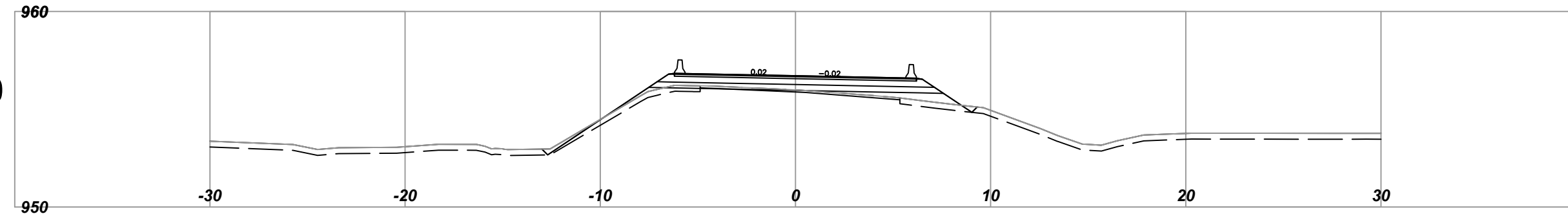
Date: 2017-01-31
Station:
105+20.000



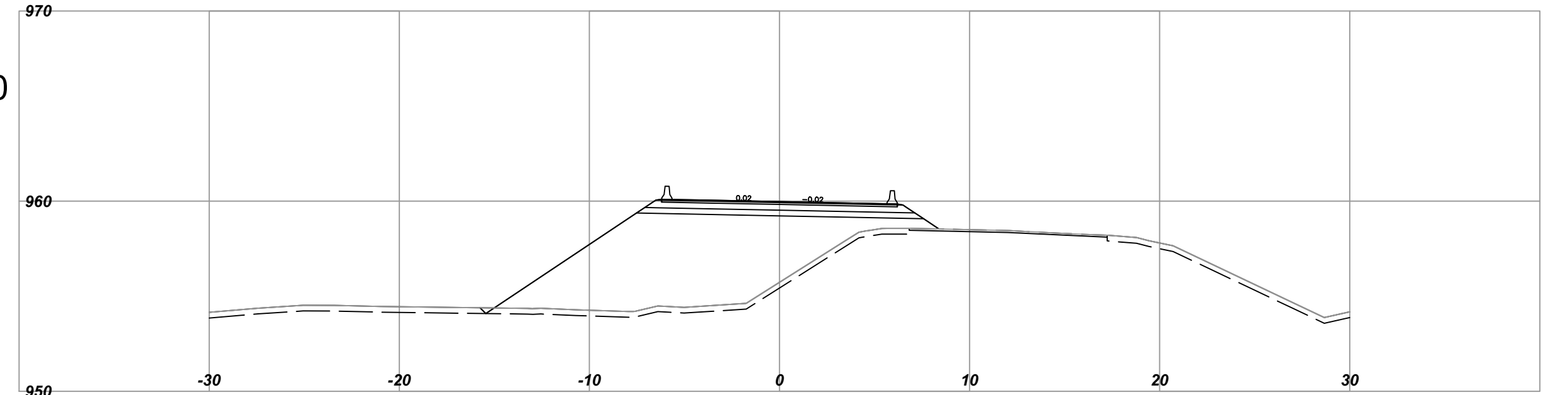
Date: 2017-01-31
Station:
105+10.000



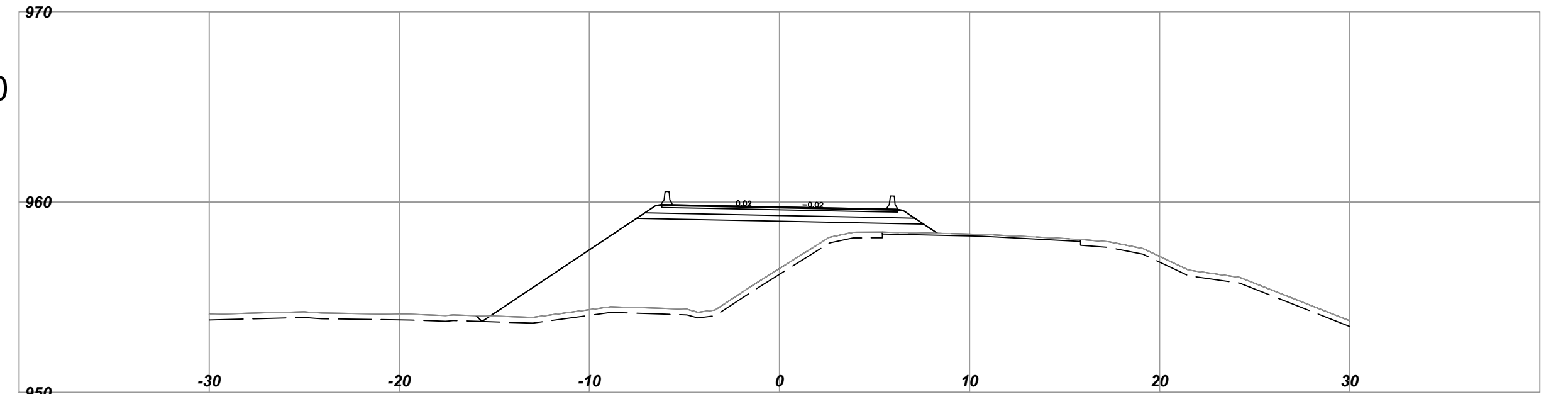
Date: 2017-01-31
Station:
105+00.000



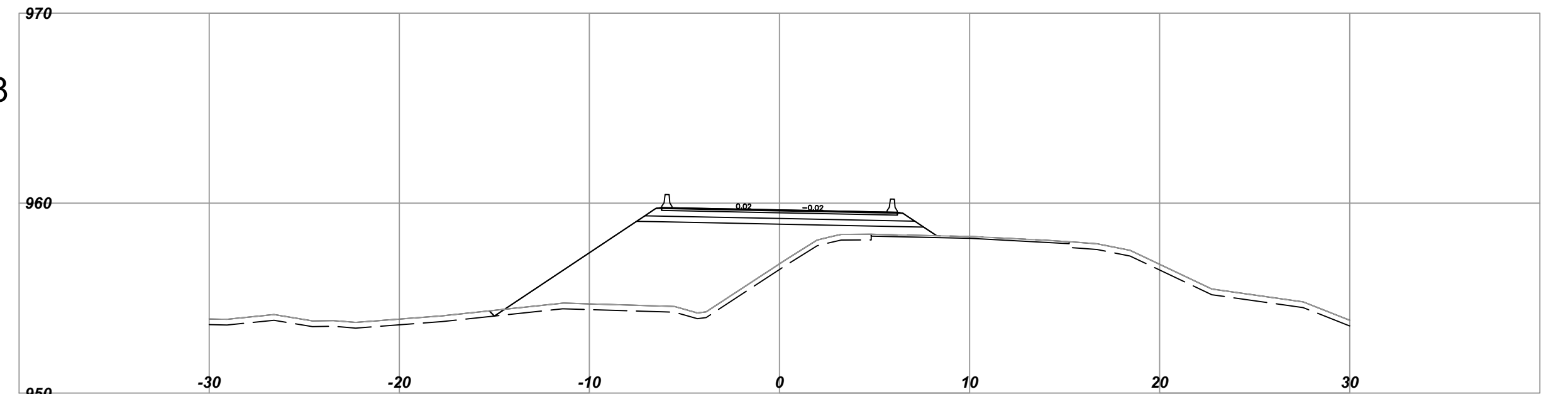
Date: 2017-01-31
Station:
106+10.000



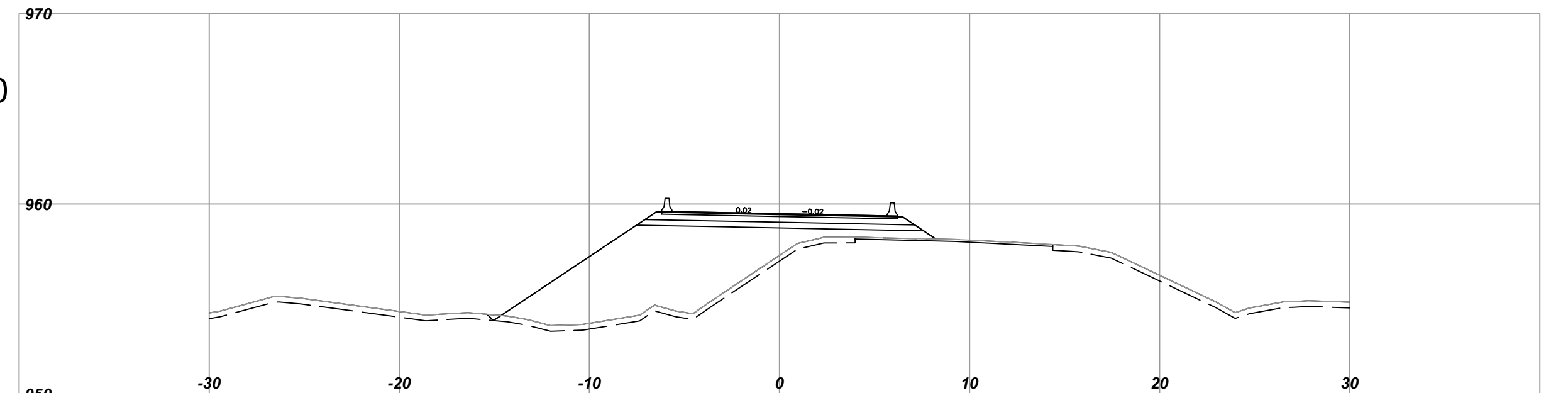
Date: 2017-01-31
Station:
106+00.000



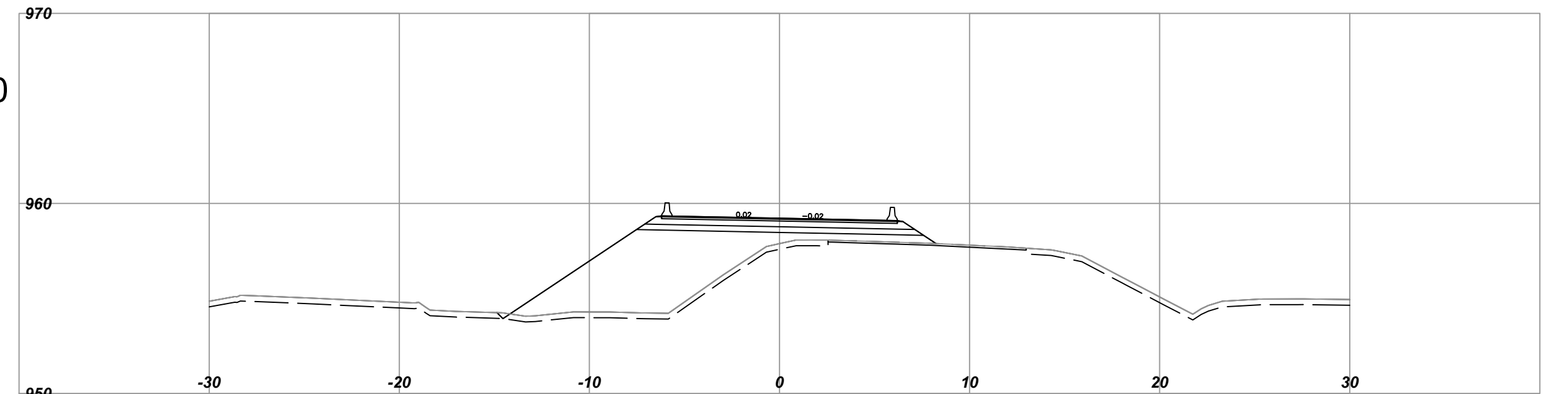
Date: 2017-01-31
Station:
105+95.908



Date: 2017-01-31
Station:
105+90.000



Date: 2017-01-31
Station:
105+80.000



SCALE 0 2 1:250 12m

CAD FILENAME _____
DATE _____



MINISTRY OF TRANSPORTATION
AND INFRASTRUCTURE
SOUTHERN INTERIOR REGION
HIGHWAY ENGINEERING AND GEOMATICS



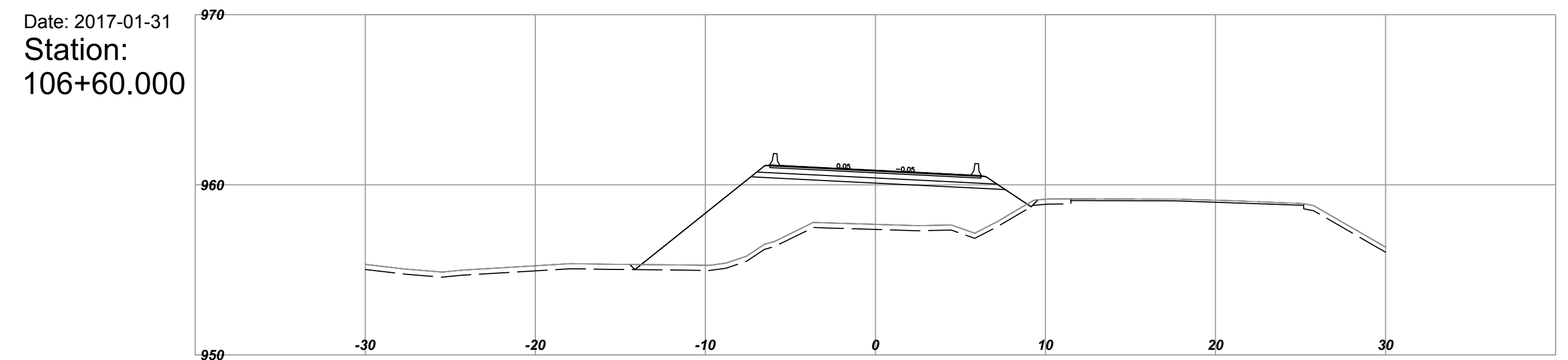
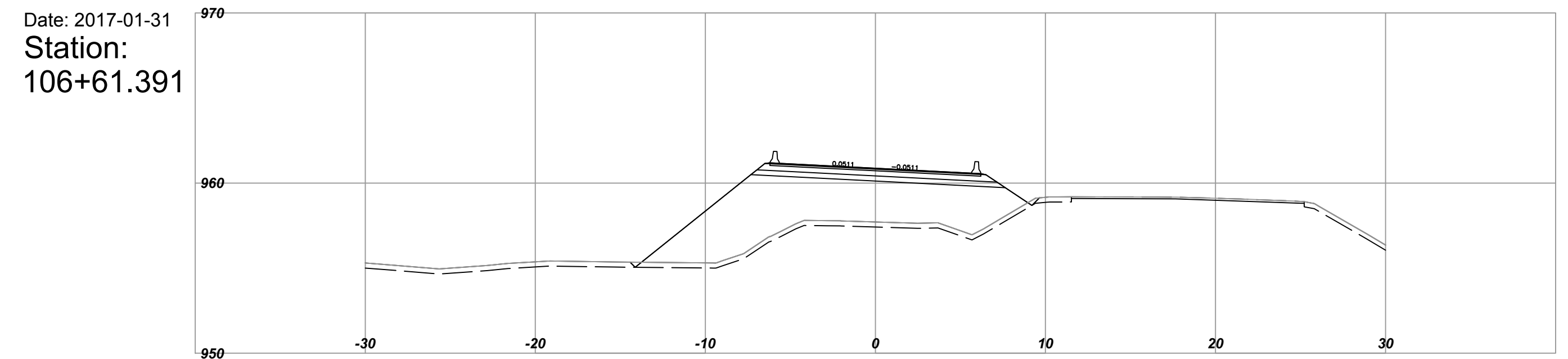
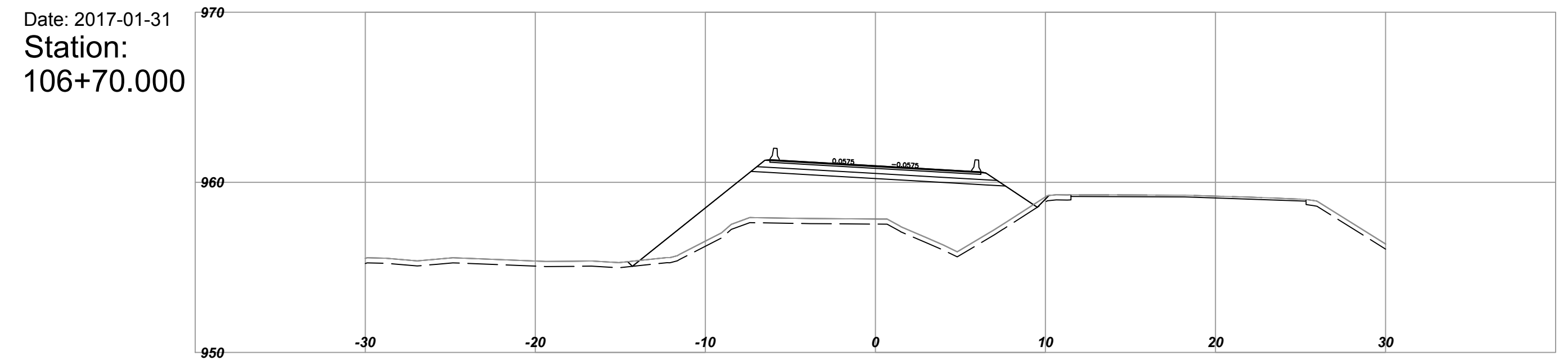
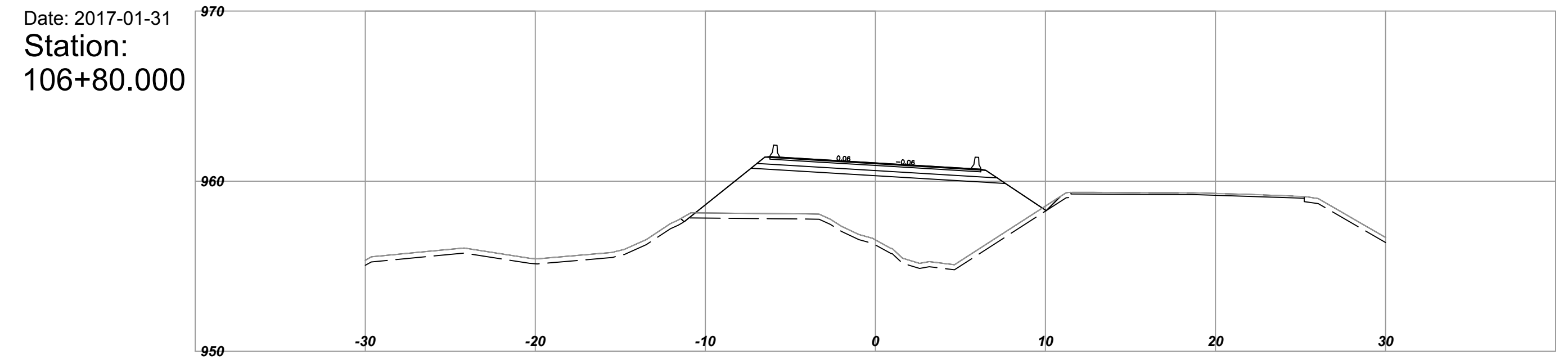
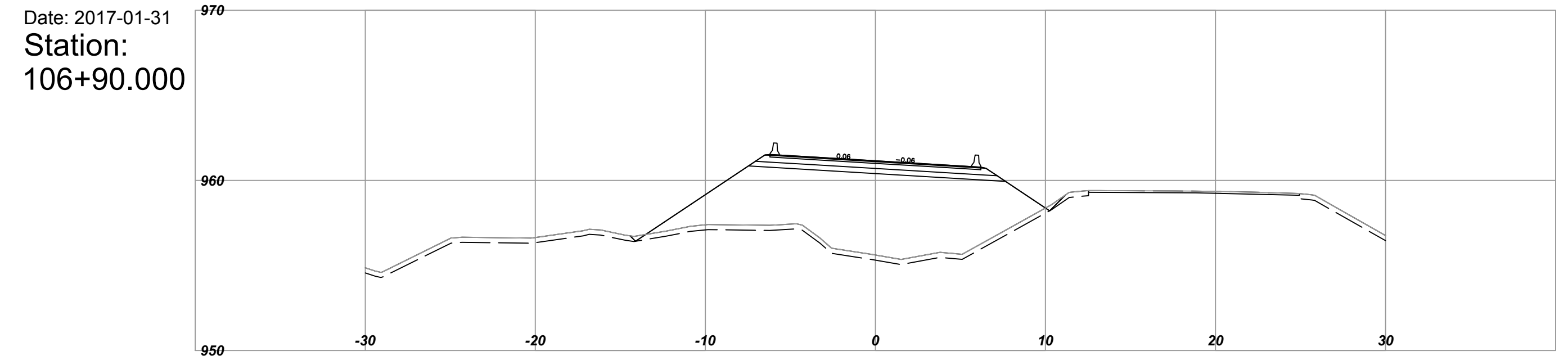
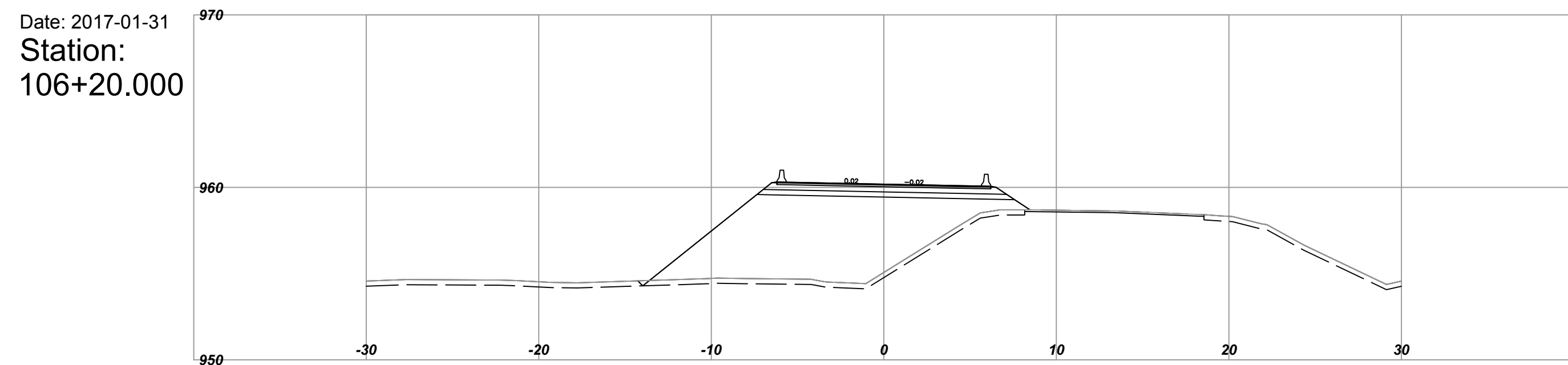
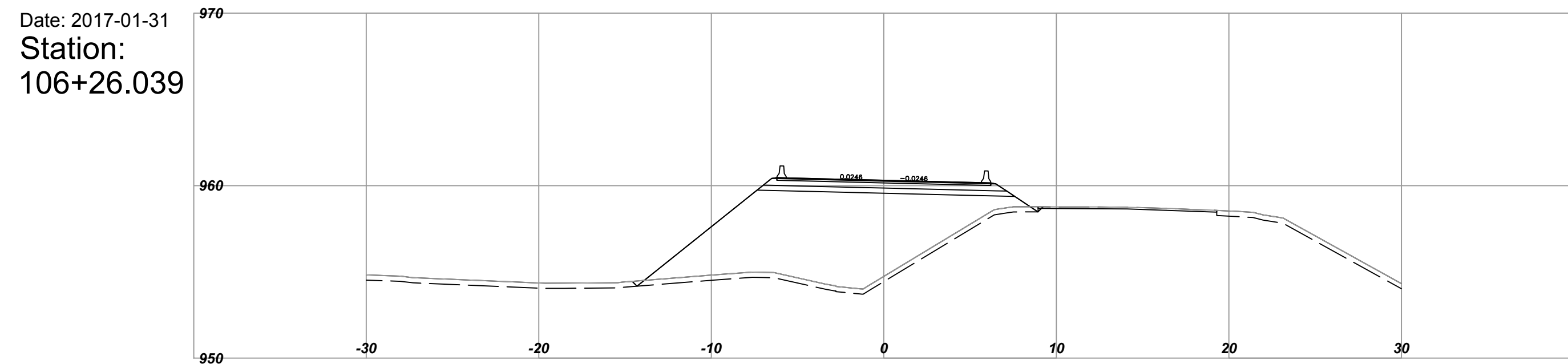
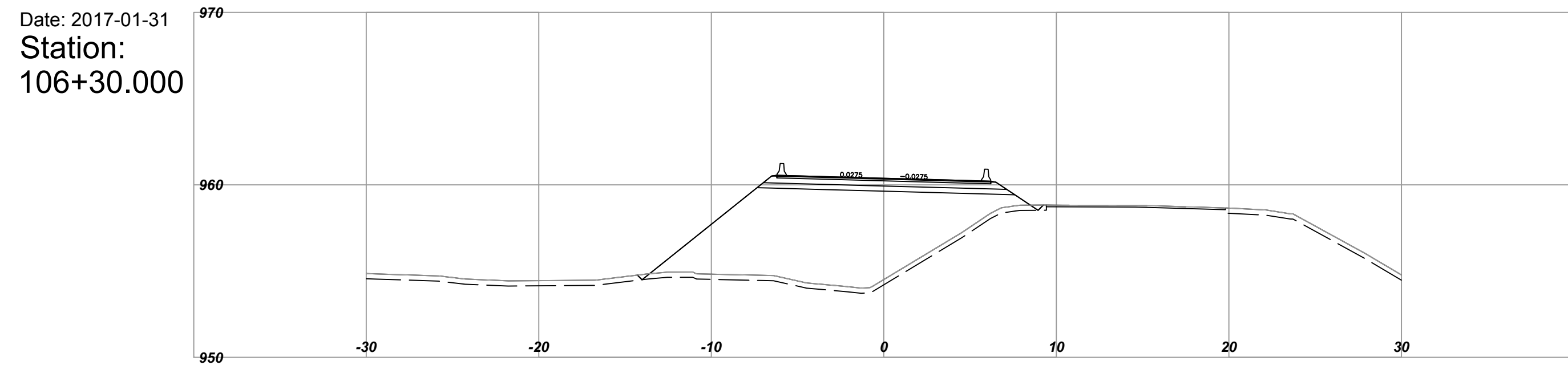
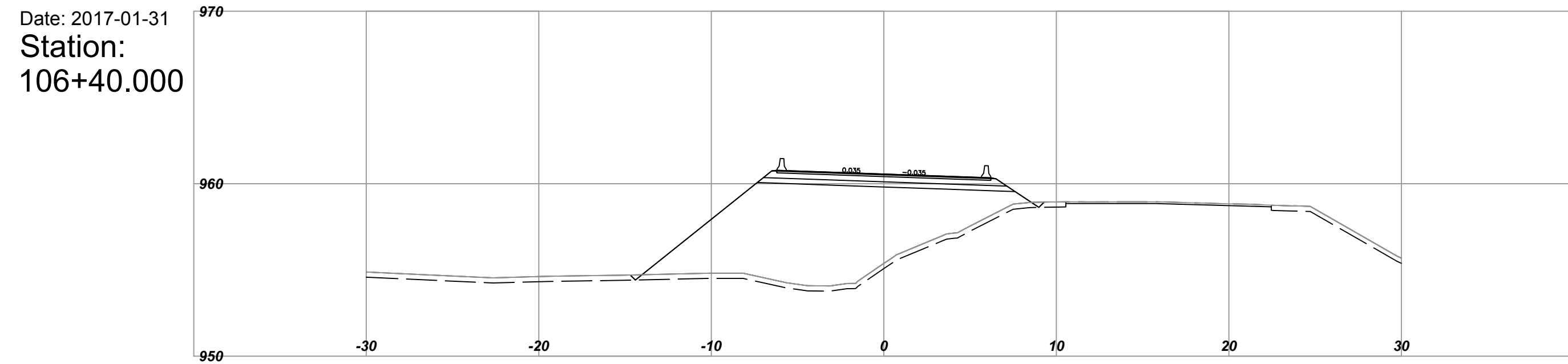
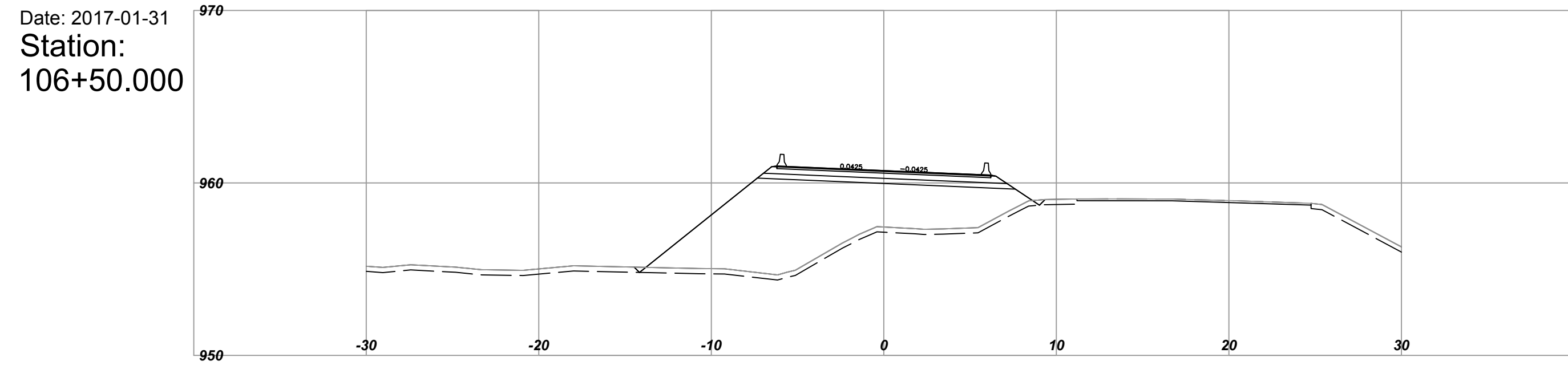
| REV | DATE | REVISIONS | SIGNATURE |
|-----|------|-----------|-----------|
| | | | |
| | | | |
| | | | |

SENIOR DESIGNER _____
DATE: YYYY-MM-DD

DESIGNED: T. EVELAND DATE: 2016-05-25
QUALITY CONTROL: M. HAWKINS DATE: 2016-06-09
QUALITY ASSURANCE: L. GARAND DATE: 2016-11-26
DRAWN: T. EVELAND DATE: 2016-05-25

SECTIONS
HIGHWAY No.3/ 95 -SWANSEA BRIDGE
BRIDGE No.0764
GRADING AND PAVING
STA 105+00.000 TO 106+10.000


| | | | | |
|-------------|----------------|-----|----------------|-----|
| FILE NUMBER | PROJECT NUMBER | REG | DRAWING NUMBER | REV |
| 1634 | 23690-0000 | 2 | SHEET 3 | |



SCALE 0 2 1:250 12m

| REV | DATE | REVISIONS | SIGNATURE |
|-----|------|-----------|-----------|
| | | | |
| | | | |
| | | | |

CAD FILENAME _____ DATE _____



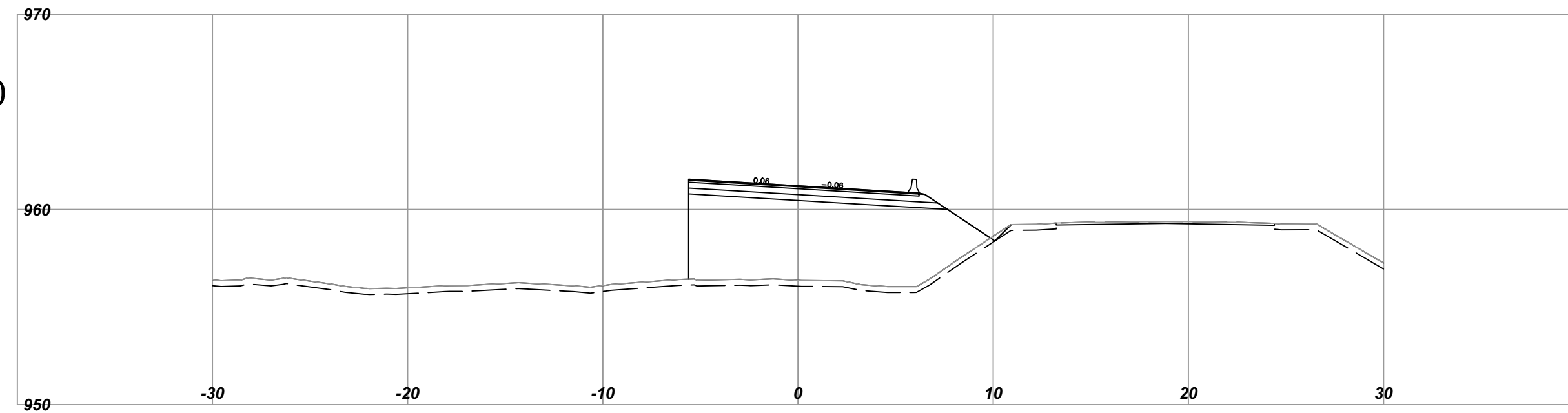
MINISTRY OF TRANSPORTATION AND INFRASTRUCTURE
SOUTHERN INTERIOR REGION
HIGHWAY ENGINEERING AND GEOMATICS

DESIGNED T. EVELAND DATE 2016-05-25
QUALITY CONTROL M. HAWKINS DATE 2016-06-09
QUALITY ASSURANCE L. GARAND DATE 2016-11-26
DRAWN T. EVELAND DATE 2016-05-25

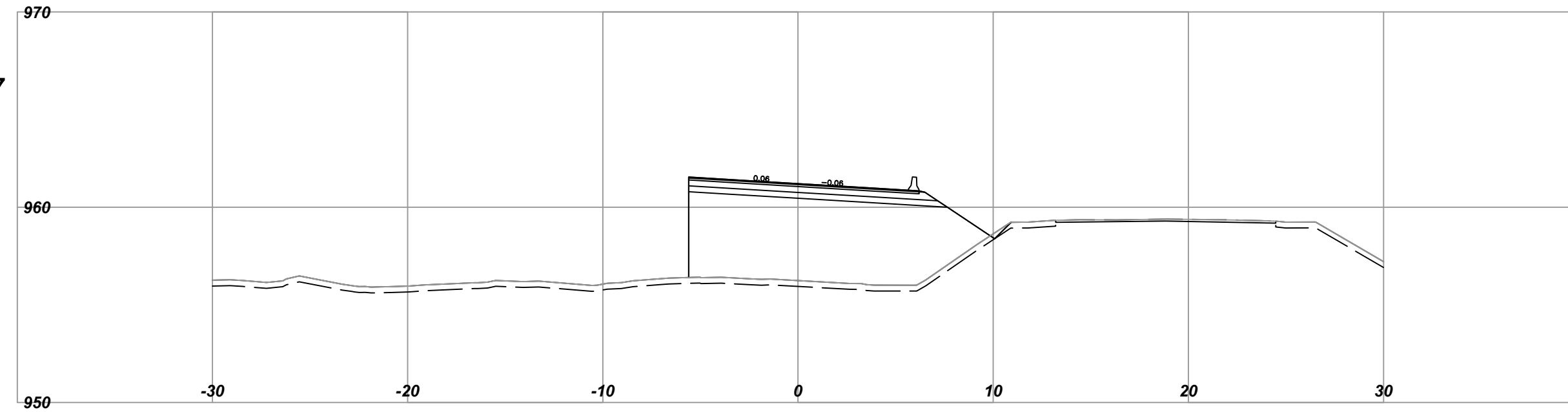
SENIOR DESIGNER _____
DATE YYYY-MM-DD

| SECTIONS | | | |
|----------------------------------|----------------|-----|----------------|
| HIGHWAY No.3/ 95 -SWANSEA BRIDGE | | | |
| BRIDGE No.0764 | | | |
| GRADING AND PAVING | | | |
| STA 106+20.000 TO STA 106+90.000 | | | |
| FILE NUMBER | PROJECT NUMBER | REG | DRAWING NUMBER |
| 1634 | 23690-0000 | 2 | SHEET 4 |

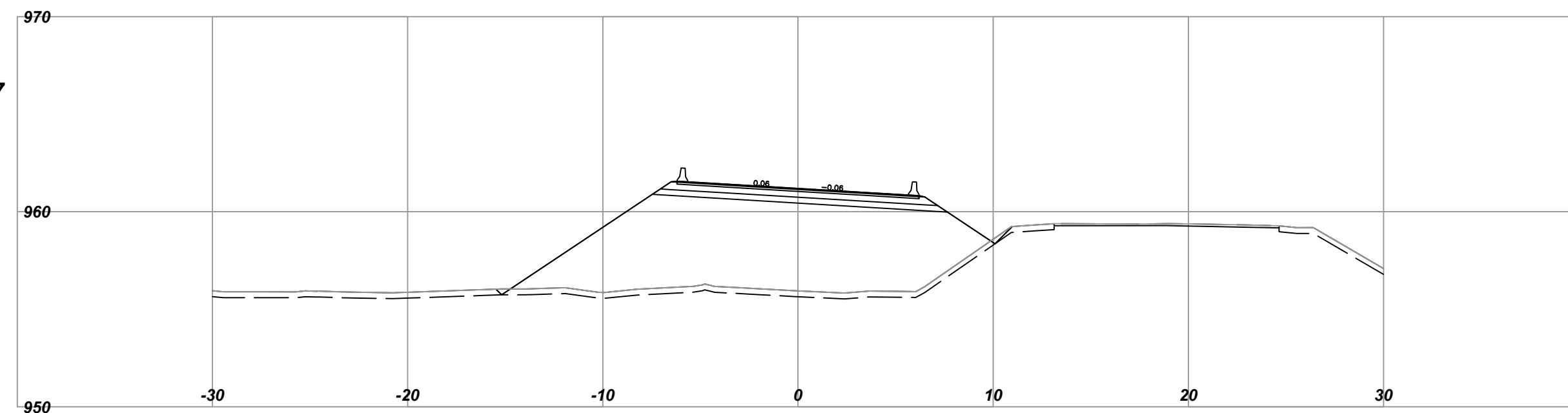
Date: 2017-01-31
Station:
107+00.000



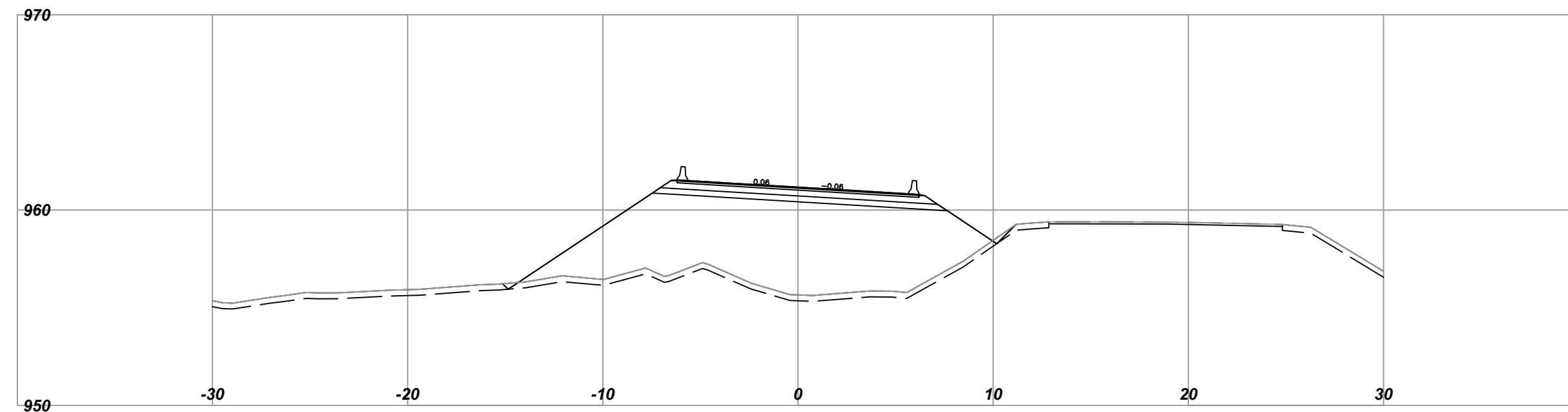
Date: 2017-01-31
Station:
106+98.947



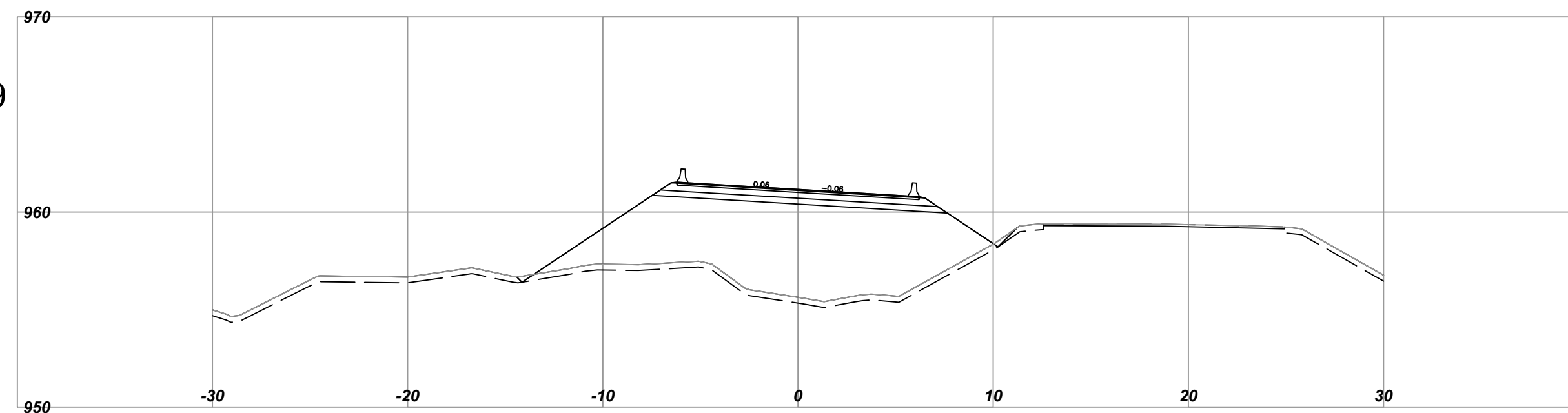
Date: 2017-01-31
Station:
106+96.167



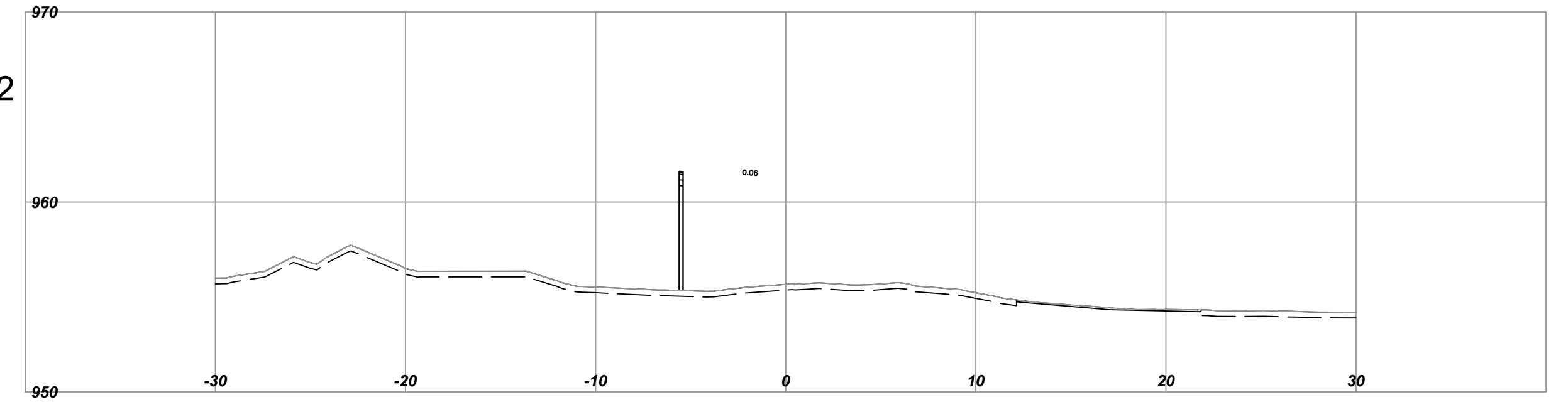
Date: 2017-01-31
Station:
106+93.071



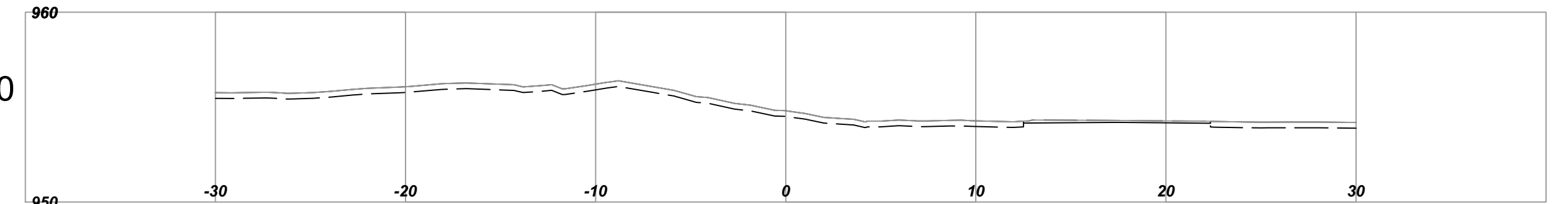
Date: 2017-01-31
Station:
106+90.439



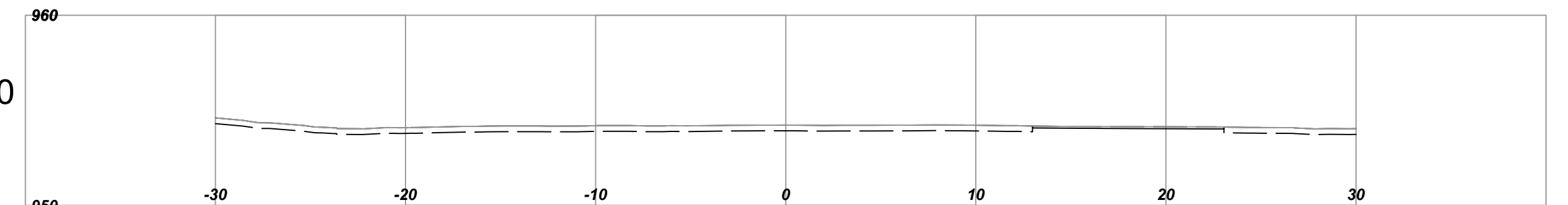
Date: 2017-01-31
Station:
107+35.652



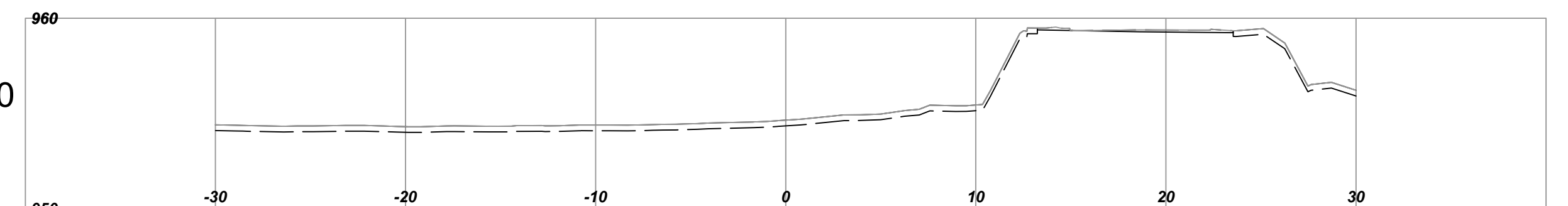
Date: 2017-01-31
Station:
107+30.000



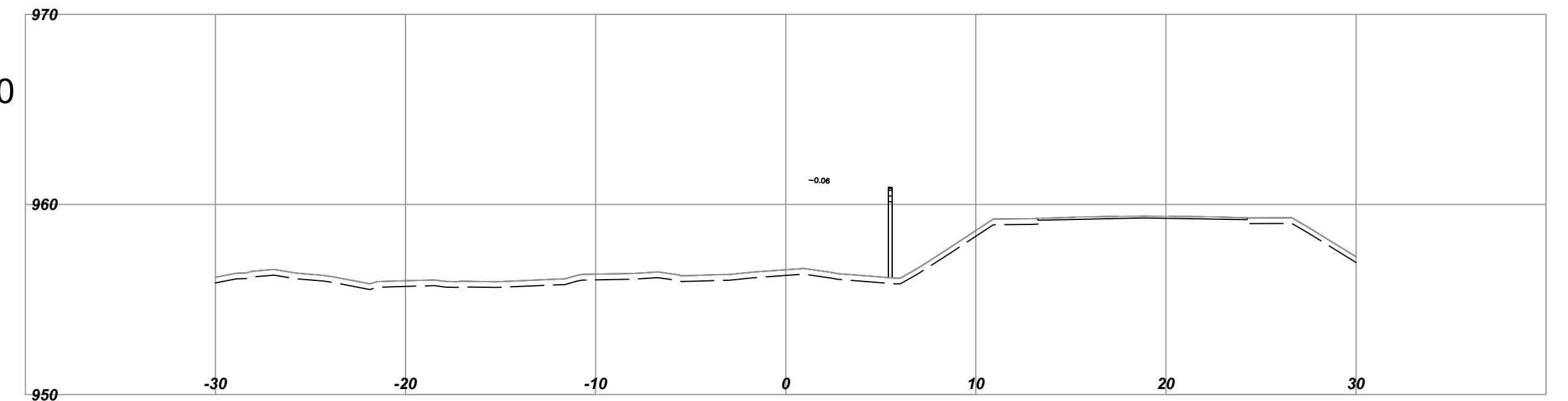
Date: 2017-01-31
Station:
107+20.000



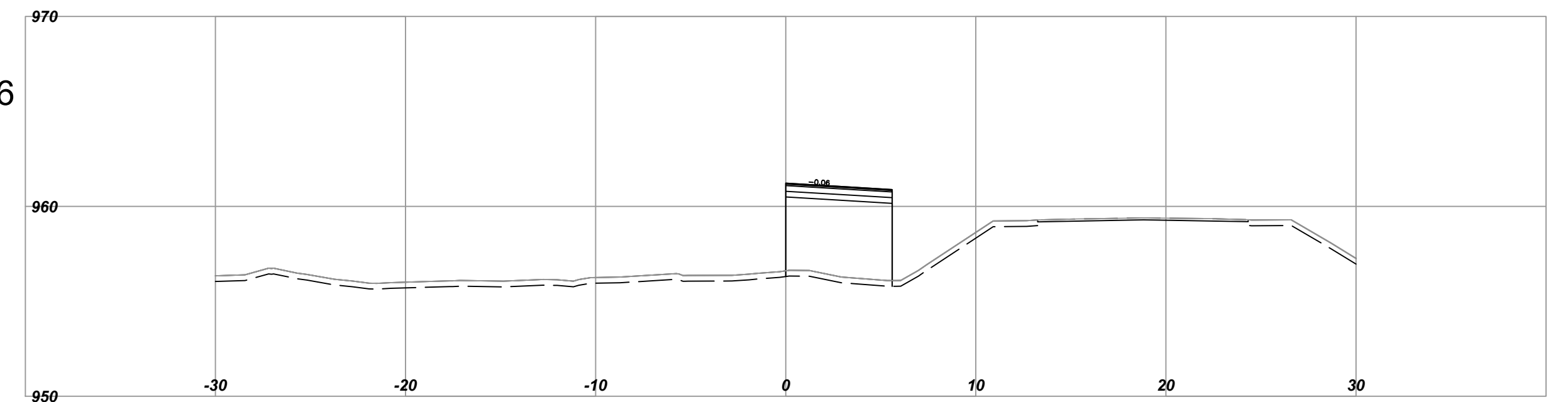
Date: 2017-01-31
Station:
107+10.000



Date: 2017-01-31
Station:
107+01.920




Date: 2017-01-31
Station:
107+01.156



SCALE 0 2 1:250 12m

| REV | DATE | REVISIONS | SIGNATURE |
|-----|------|-----------|-----------|
| | | | |
| | | | |
| | | | |

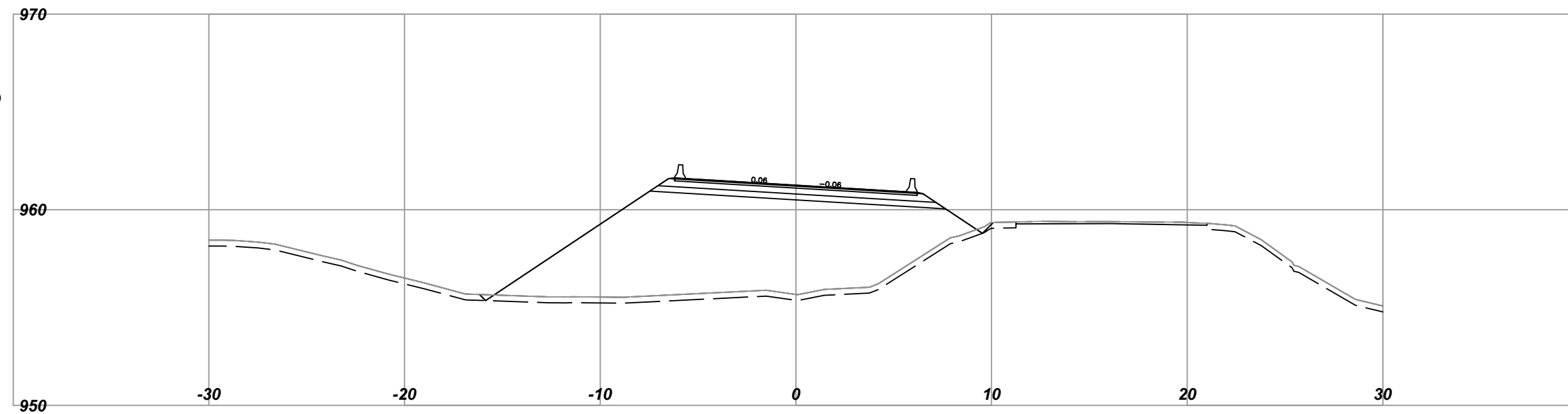
CAD FILENAME _____ DATE _____

 **MINISTRY OF TRANSPORTATION AND INFRASTRUCTURE**
SOUTHERN INTERIOR REGION
HIGHWAY ENGINEERING AND GEOMATICS

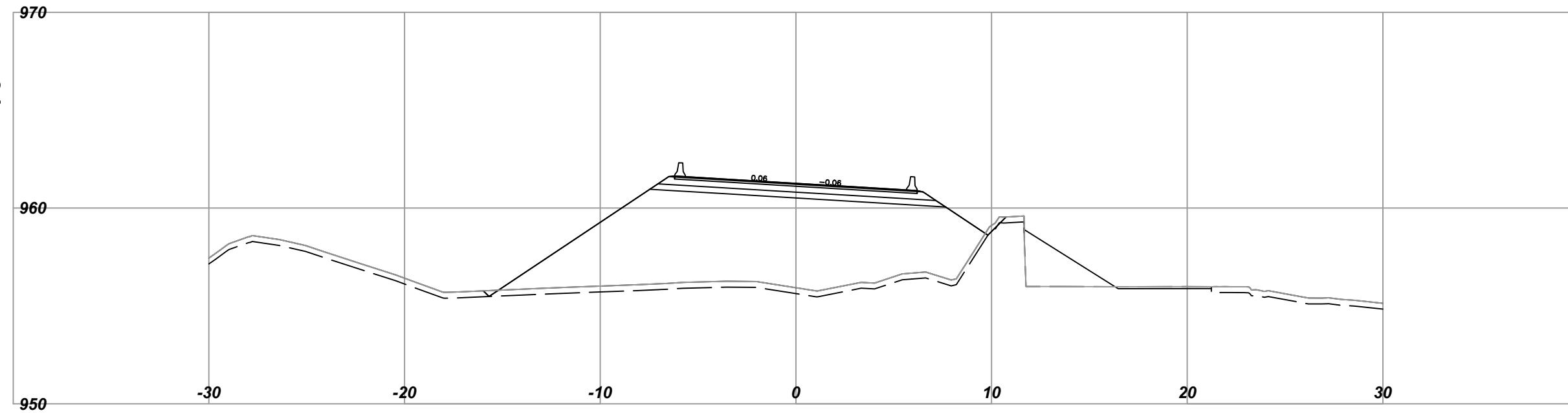
DESIGNED T. EVELAND DATE 2016-05-25
 QUALITY CONTROL M. HAWKINS DATE 2016-06-09
 QUALITY ASSURANCE L. GARAND DATE 2016-11-26
 SENIOR DESIGNER _____
 DATE YYYY-MM-DD DRAWN T. EVELAND DATE 2016-05-25

| SECTIONS | | | |
|----------------------------------|----------------|-----|----------------|
| HIGHWAY No.3/ 95 -SWANSEA BRIDGE | | | |
| BRIDGE No.0764 | | | |
| GRADING AND PAVING | | | |
| STA 106+90.439 TO STA 107+35.652 | | | |
| FILE NUMBER | PROJECT NUMBER | REG | DRAWING NUMBER |
| 1634 | 23690-0000 | 2 | SHEET 5 |

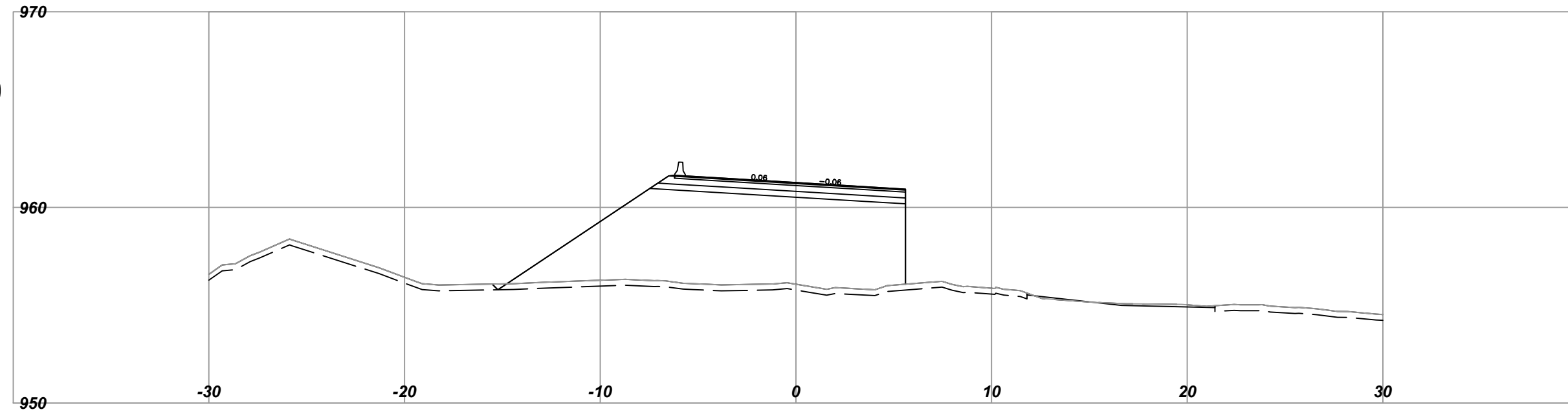
Date: 2017-01-31
Station:
107+45.243



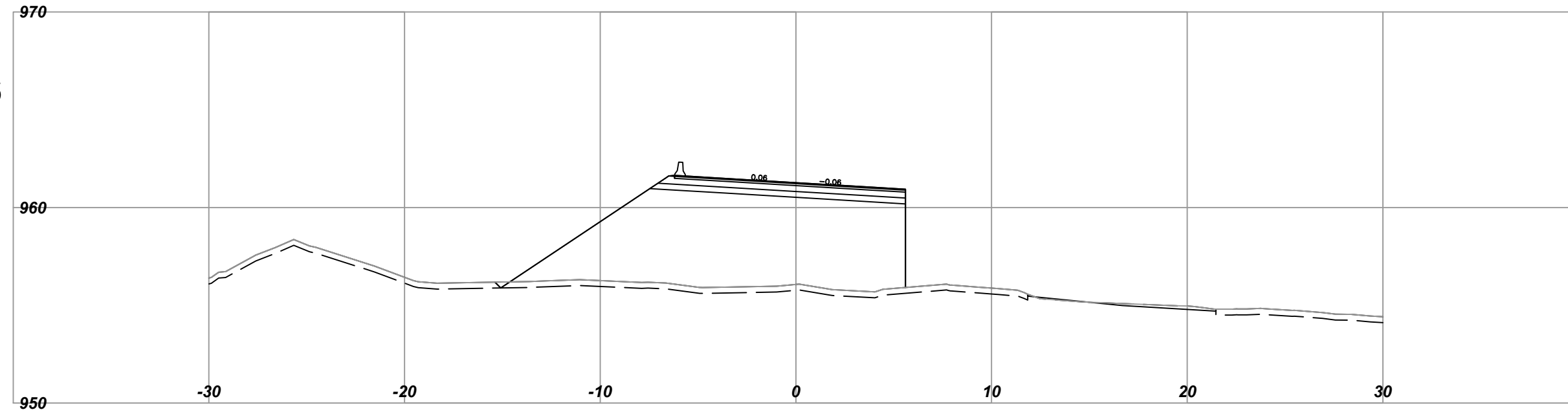
Date: 2017-01-31
Station:
107+41.732



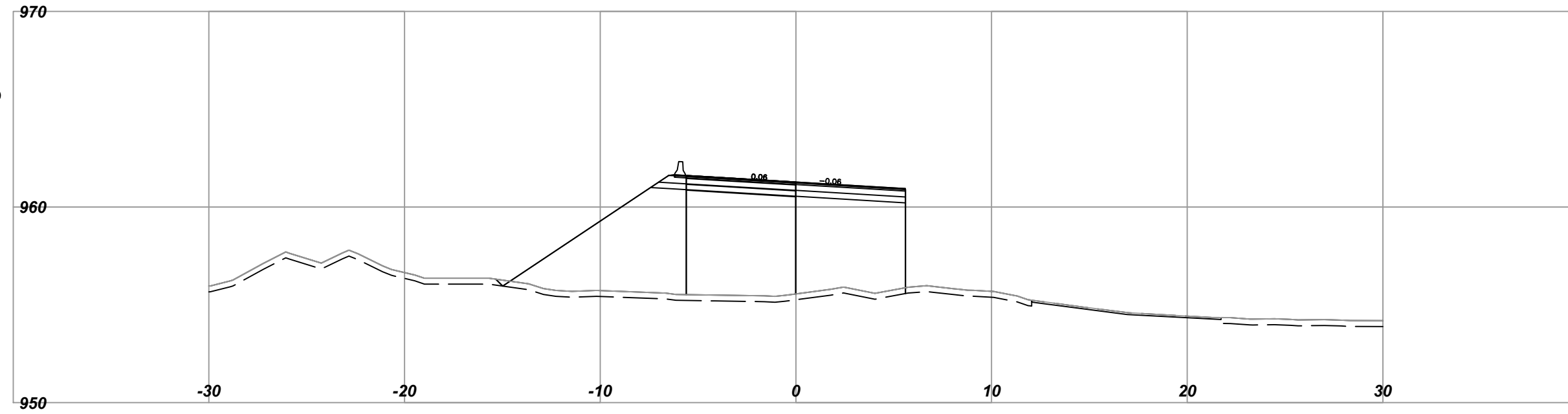
Date: 2017-01-31
Station:
107+40.000



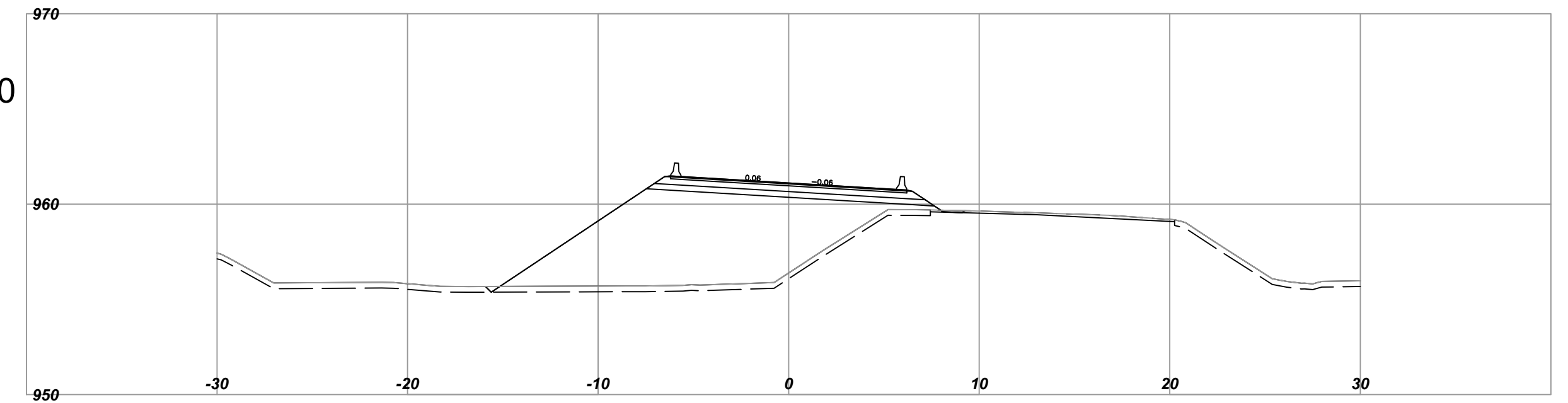
Date: 2017-01-31
Station:
107+39.516



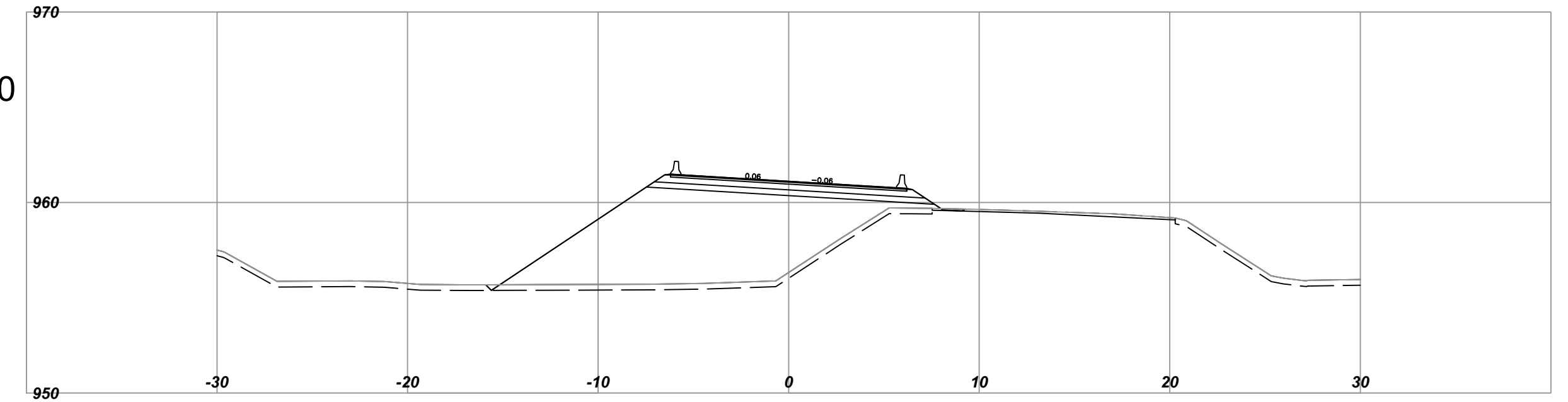
Date: 2017-01-31
Station:
107+36.858



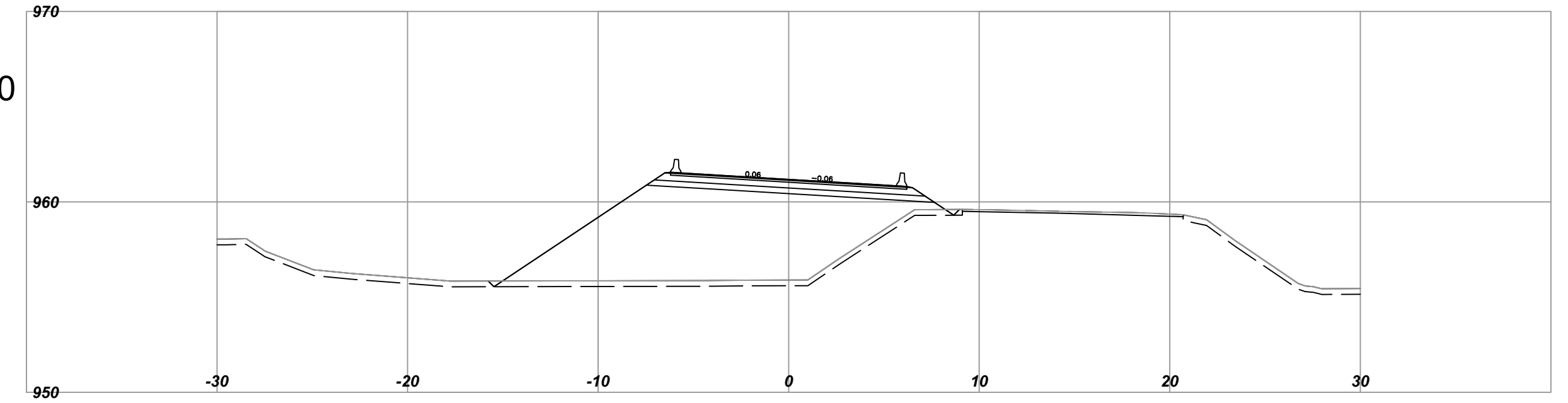
Date: 2017-01-31
Station:
107+70.000



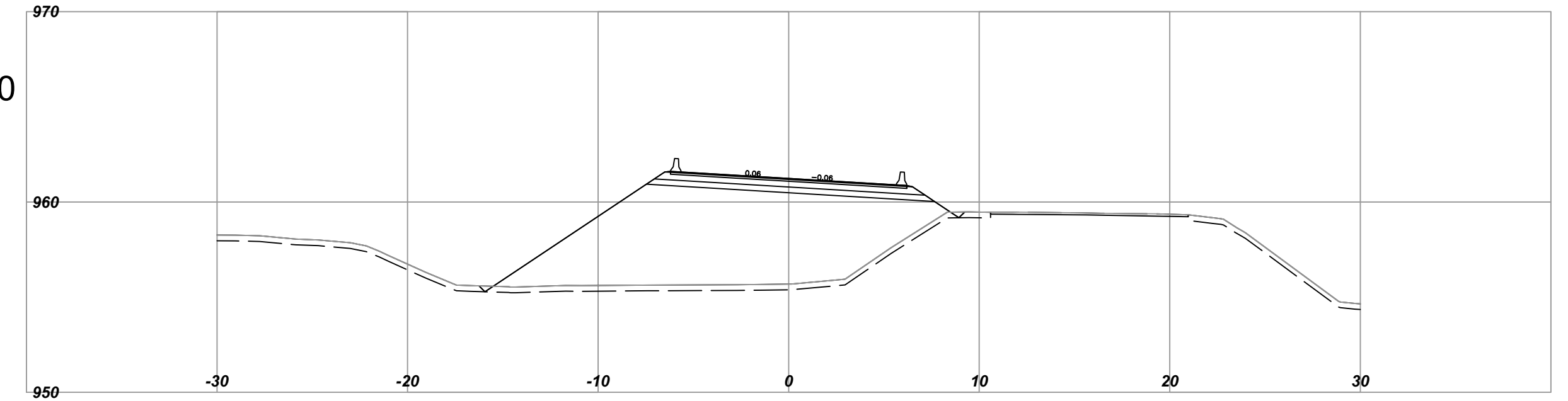
Date: 2017-01-31
Station:
107+69.480



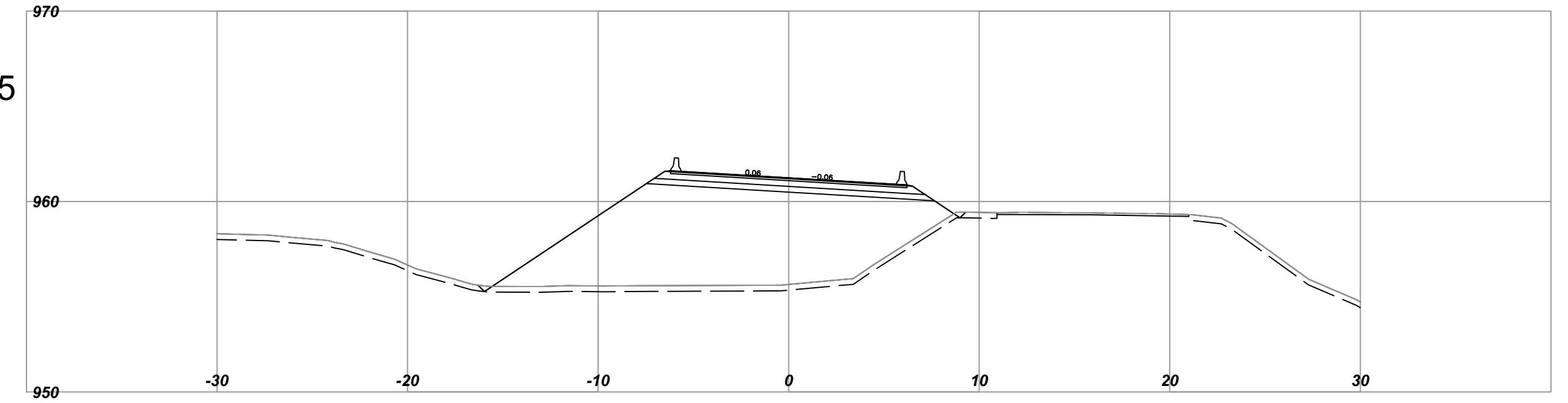
Date: 2017-01-31
Station:
107+60.000



Date: 2017-01-31
Station:
107+50.000



Date: 2017-01-31
Station:
107+47.615




DESIGN SPEED HORIZONTAL 100km/h - VERTICAL 90km/h

REF PLAN DRAWING R2-958-101

REF PROFILE DRAWING R2-958-201

REF TYPICAL SECTION DRAWING R2-958-301

| SCALE 0 2 1:250 12m | | CAD FILENAME _____ | |
|---------------------|------|--------------------|-----------|
| | | DATE _____ | |
| REV | DATE | REVISIONS | SIGNATURE |
| | | | |
| | | | |
| | | | |

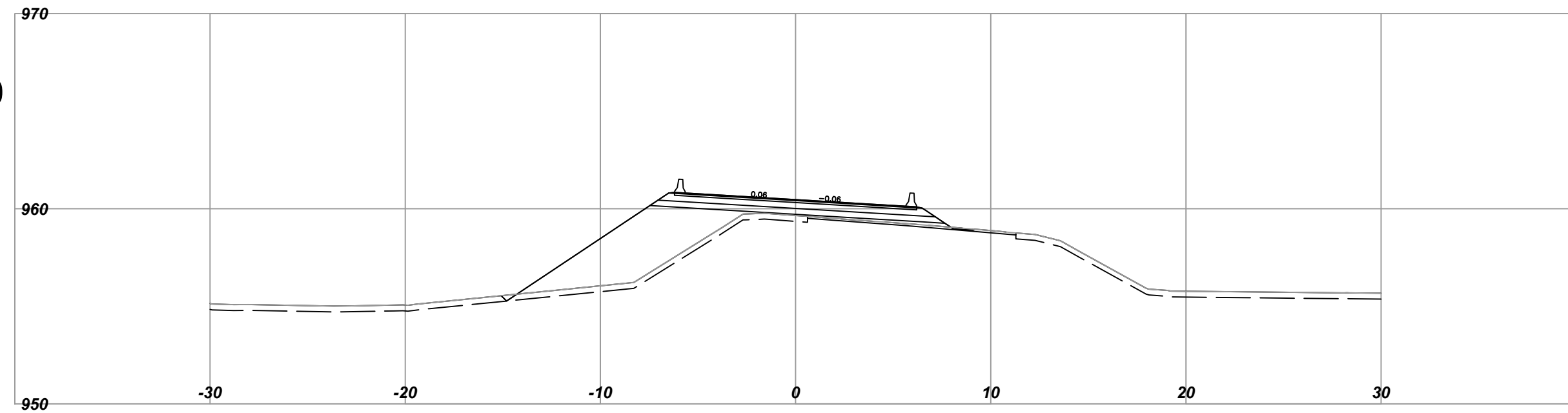

MINISTRY OF TRANSPORTATION AND INFRASTRUCTURE
 SOUTHERN INTERIOR REGION
 HIGHWAY ENGINEERING AND GEOMATICS

| | | | |
|-------------------|------------|------|------------|
| DESIGNED | T. EVELAND | DATE | 2016-05-25 |
| QUALITY CONTROL | M. HAWKINS | DATE | 2016-06-09 |
| QUALITY ASSURANCE | L. GARAND | DATE | 2016-11-26 |
| DRAWN | T. EVELAND | DATE | 2016-05-25 |

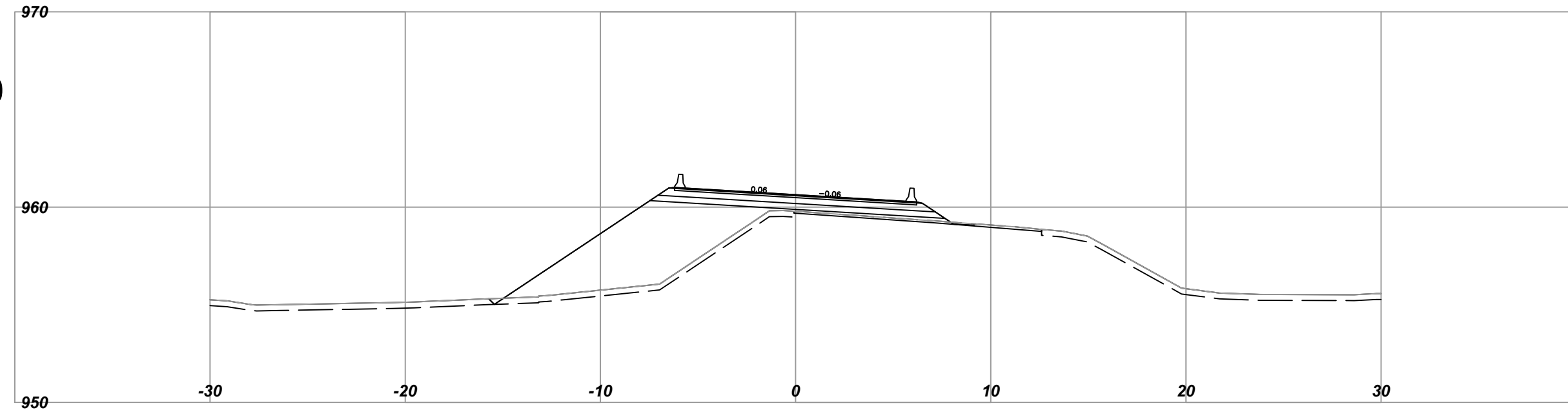
SENIOR DESIGNER _____
 DATE: YYYY-MM-DD

| SECTIONS | | | |
|----------------------------------|----------------|-----|----------------|
| HIGHWAY No.3/ 95 -SWANSEA BRIDGE | | | |
| BRIDGE No.0764 | | | |
| GRADING AND PAVING | | | |
| STA 107+36.858 TO STA 107+70.000 | | | |
| FILE NUMBER | PROJECT NUMBER | REG | DRAWING NUMBER |
| 1634 | 23690-0000 | 2 | SHEET 6 |

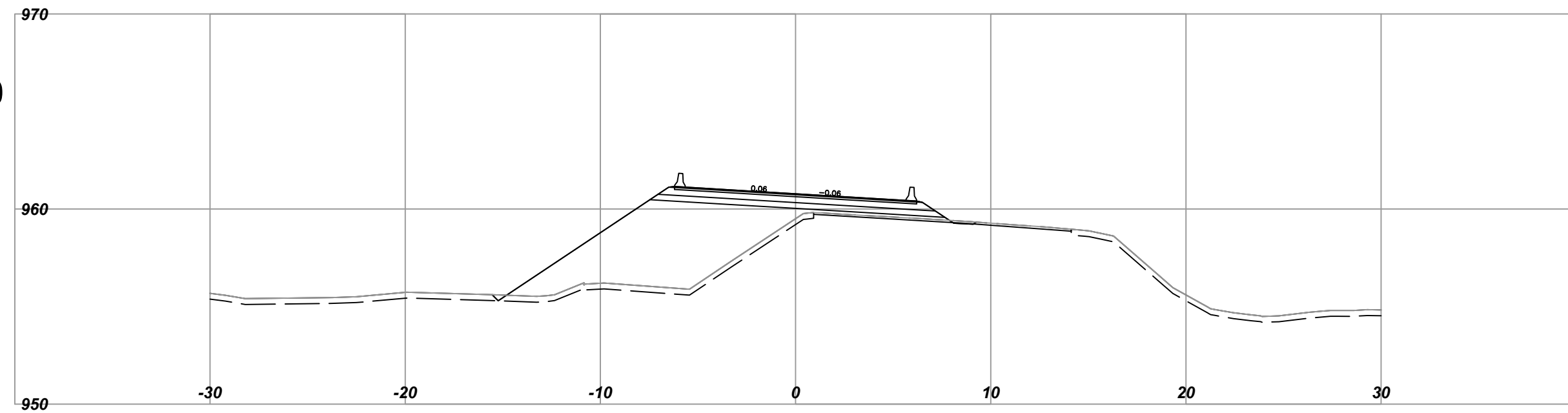
Date: 2017-01-31
Station:
108+20.000



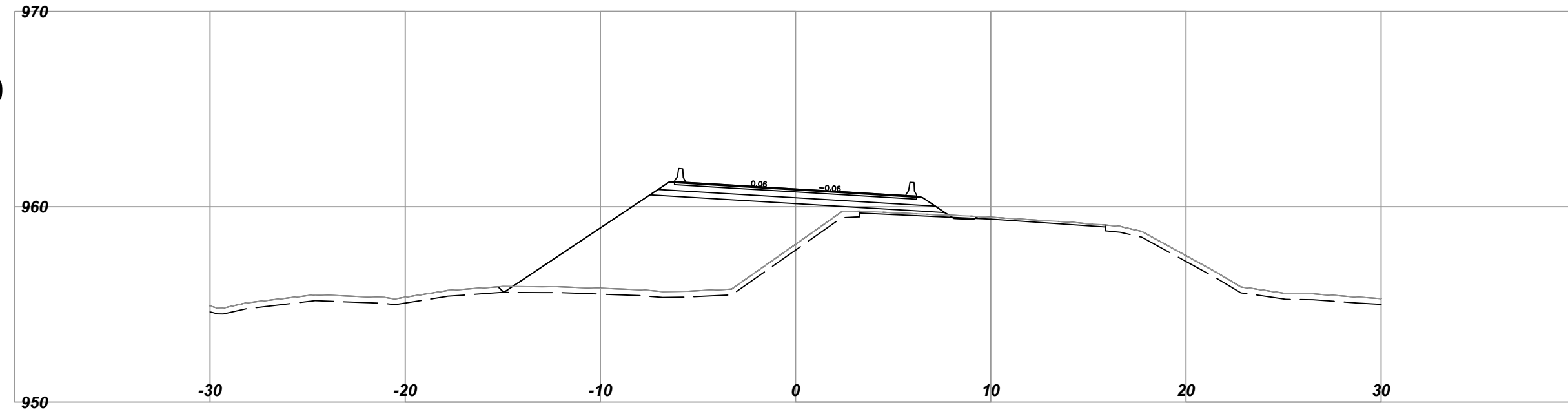
Date: 2017-01-31
Station:
108+10.000



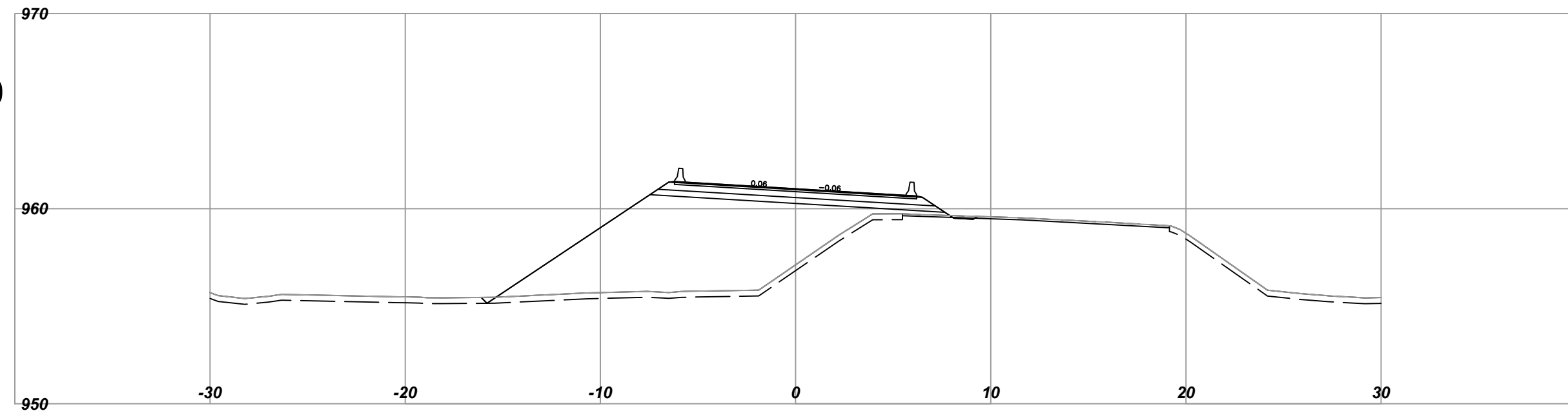
Date: 2017-01-31
Station:
108+00.000



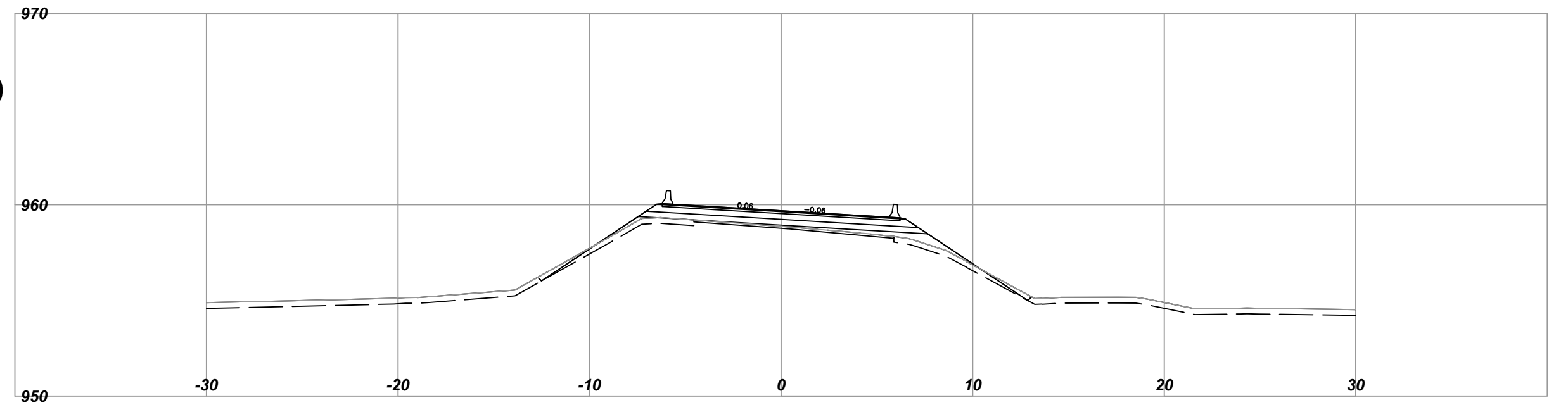
Date: 2017-01-31
Station:
107+90.000



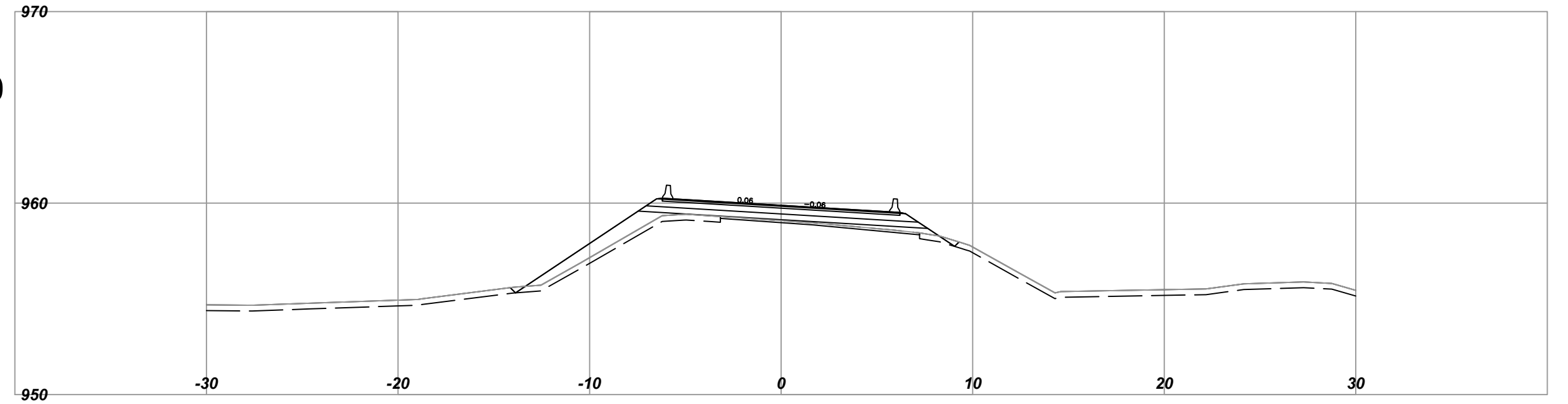
Date: 2017-01-31
Station:
107+80.000



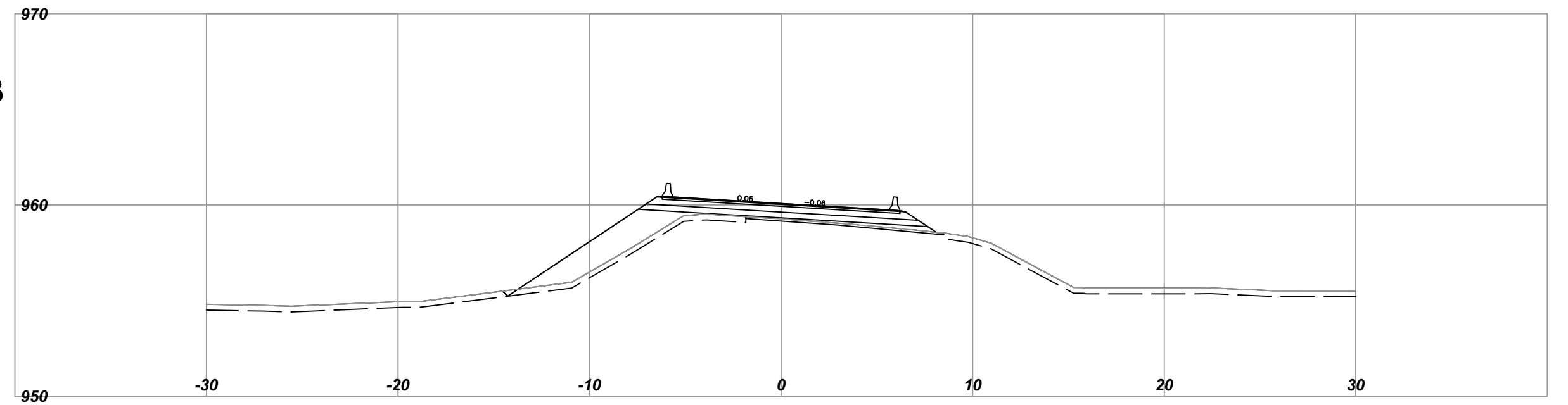
Date: 2017-01-31
Station:
108+60.000



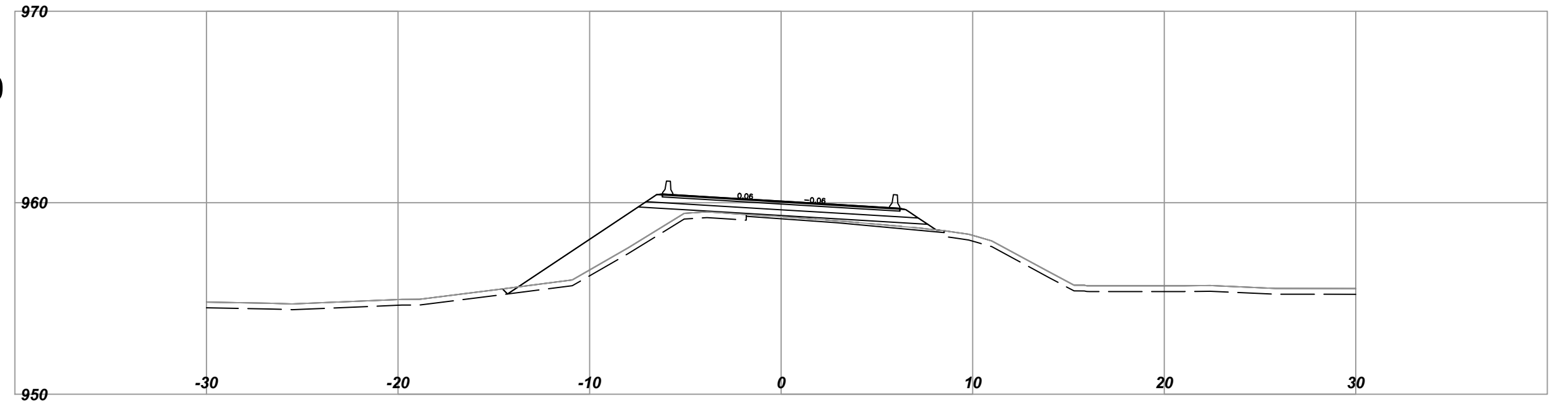
Date: 2017-01-31
Station:
108+50.000



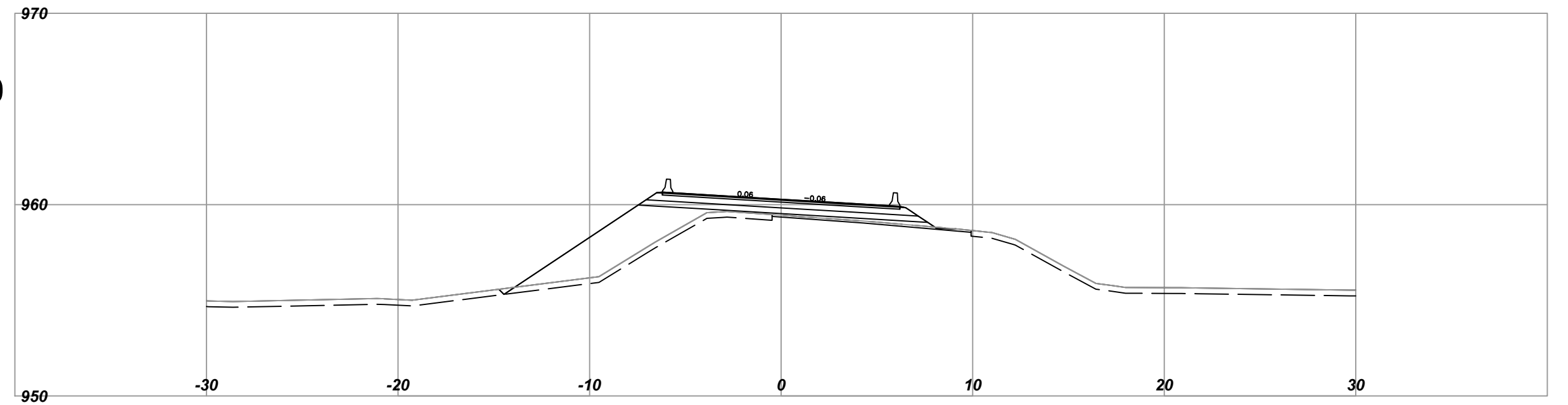
Date: 2017-01-31
Station:
108+40.183



Date: 2017-01-31
Station:
108+40.000




Date: 2017-01-31
Station:
108+30.000



SCALE 0 2 1:250 12m

| REV | DATE | REVISIONS | SIGNATURE |
|-----|------|-----------|-----------|
| | | | |
| | | | |
| | | | |

CAD FILENAME _____ DATE _____

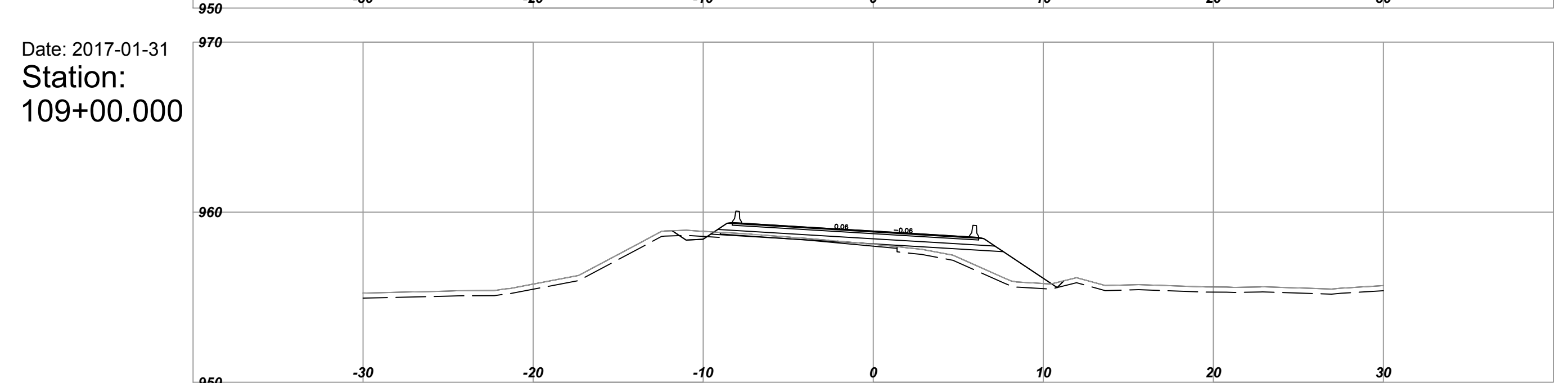
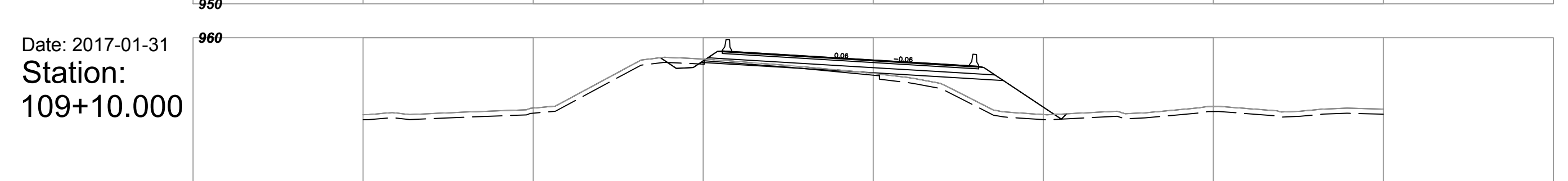
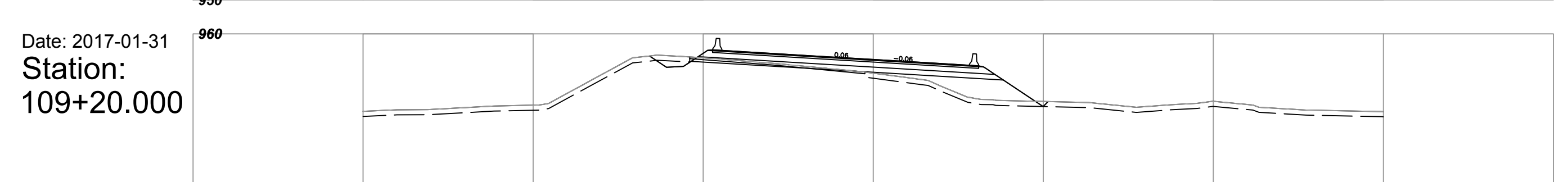
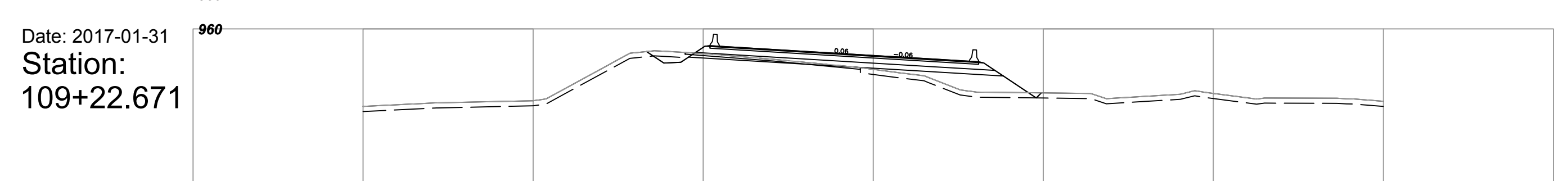
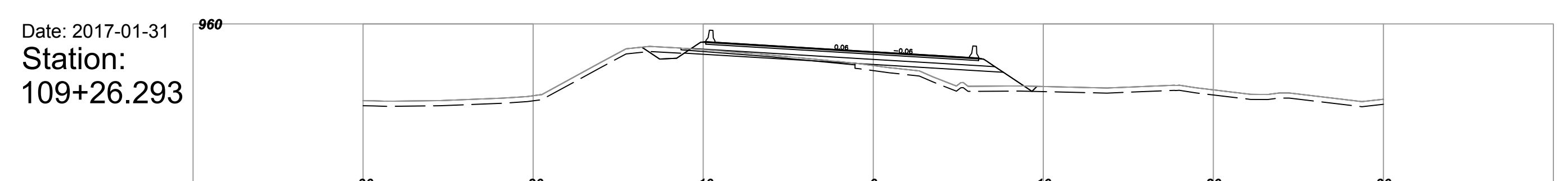
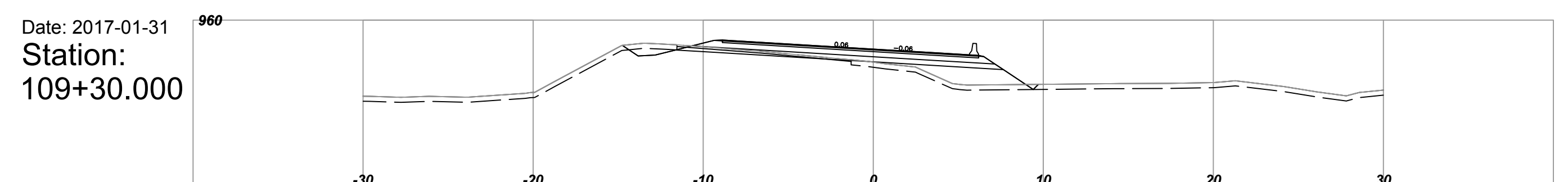
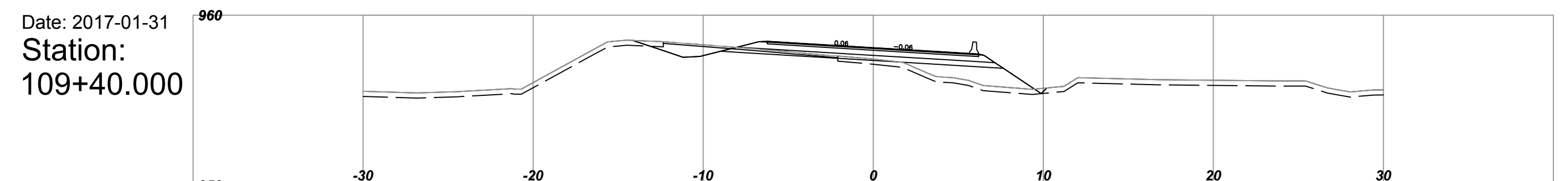
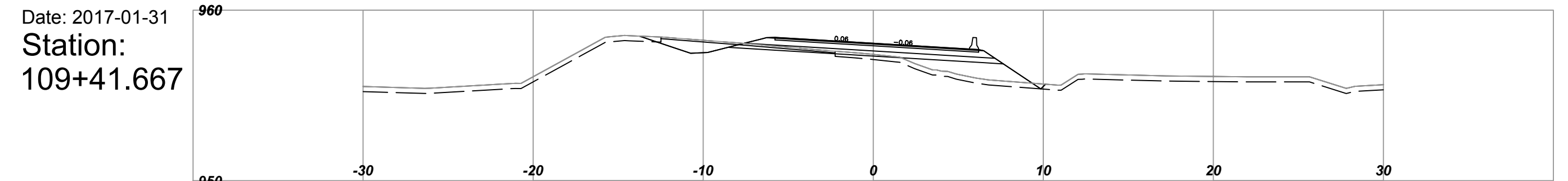
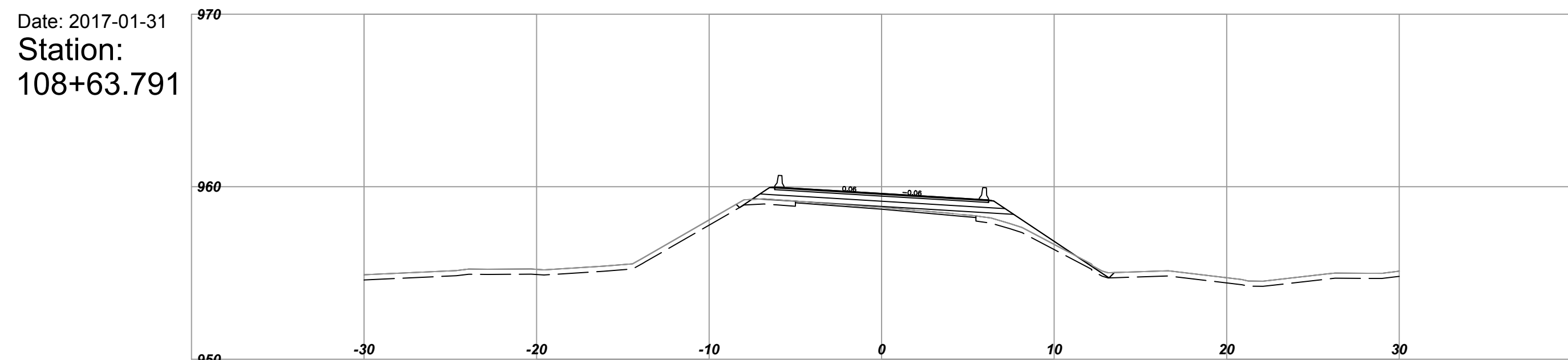
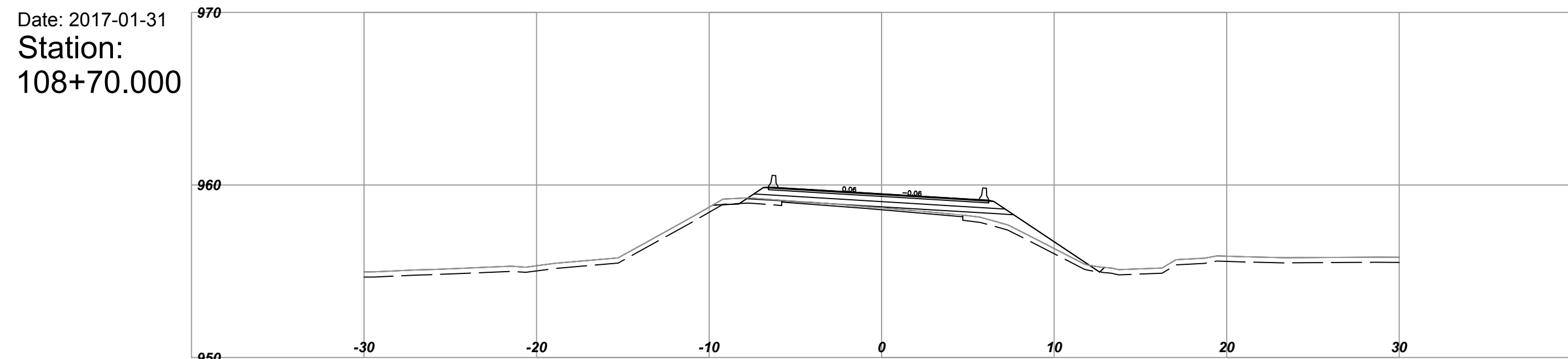
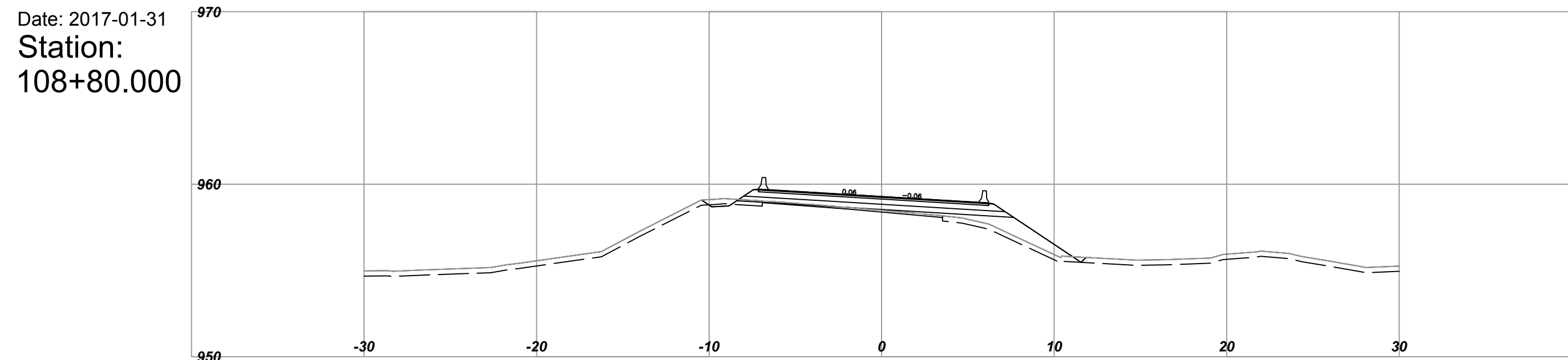
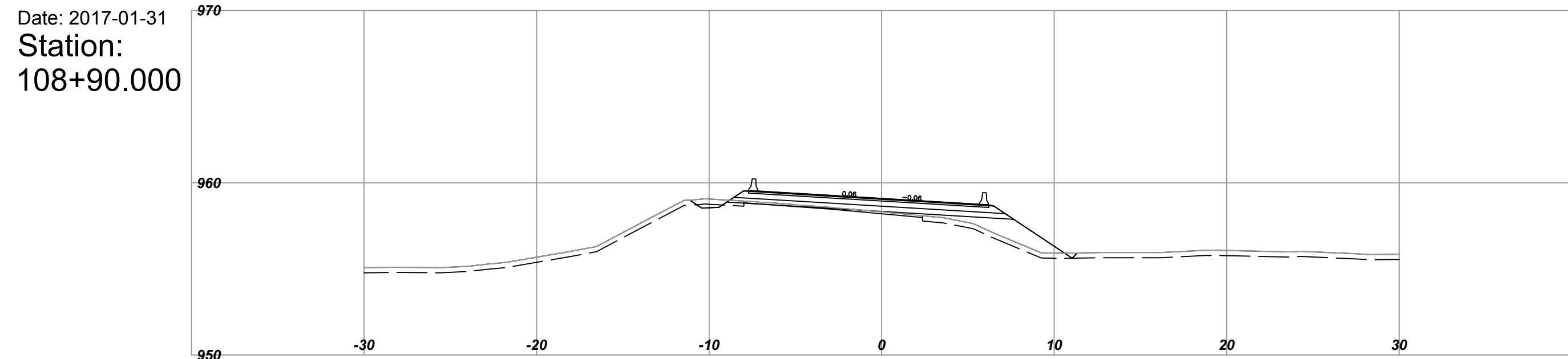
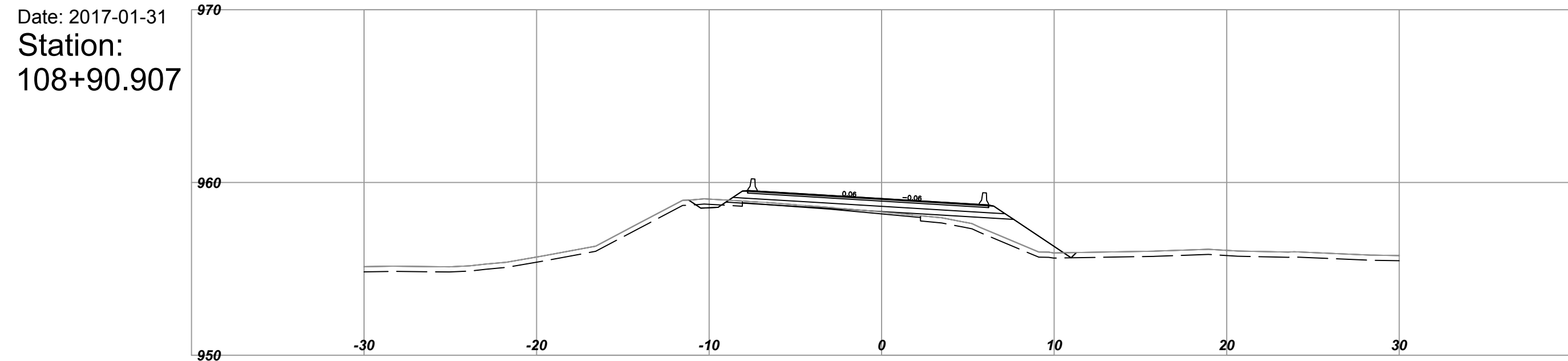


MINISTRY OF TRANSPORTATION AND INFRASTRUCTURE
SOUTHERN INTERIOR REGION
HIGHWAY ENGINEERING AND GEOMATICS

DESIGNED: T. EVELAND DATE: 2016-05-25
QUALITY CONTROL: M. HAWKINS DATE: 2016-06-09
QUALITY ASSURANCE: L. GARAND DATE: 2016-11-26
DRAWN: T. EVELAND DATE: 2016-05-25

SENIOR DESIGNER _____
DATE: YYYY-MM-DD


| SECTIONS | | | |
|----------------------------------|----------------|-----|----------------|
| HIGHWAY No.3/ 95 -SWANSEA BRIDGE | | | |
| BRIDGE No.0764 | | | |
| GRADING AND PAVING | | | |
| STA 107+80.000 TO STA 108+60.000 | | | |
| FILE NUMBER | PROJECT NUMBER | REG | DRAWING NUMBER |
| 1634 | 23690-0000 | 2 | SHEET 7 |



SCALE 0 2 1:250 12m

| REV | DATE | REVISIONS | SIGNATURE |
|-----|------|-----------|-----------|
| | | | |
| | | | |
| | | | |

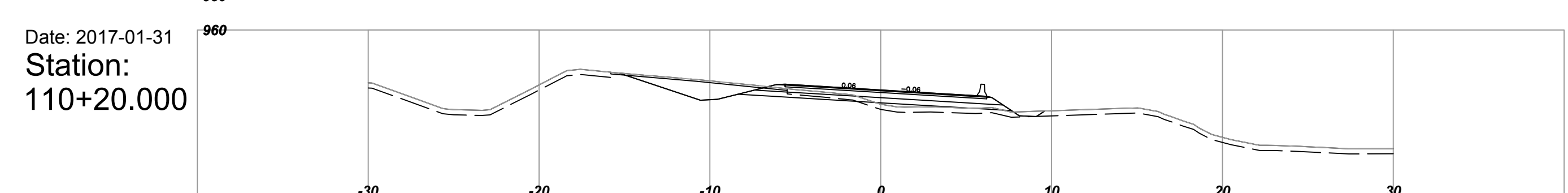
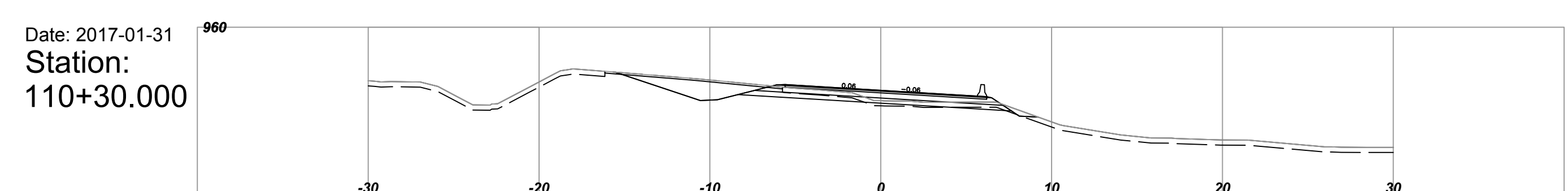
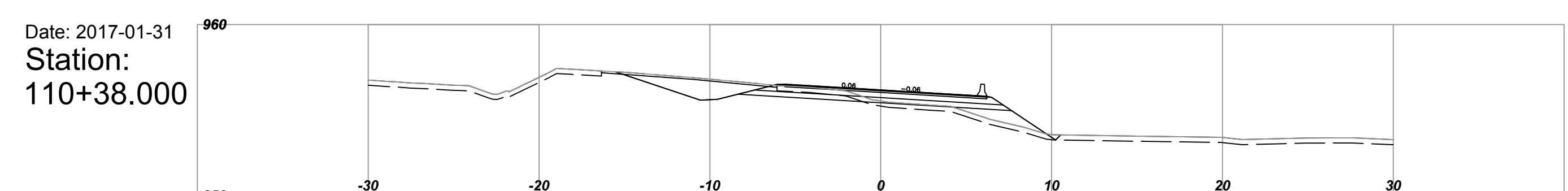
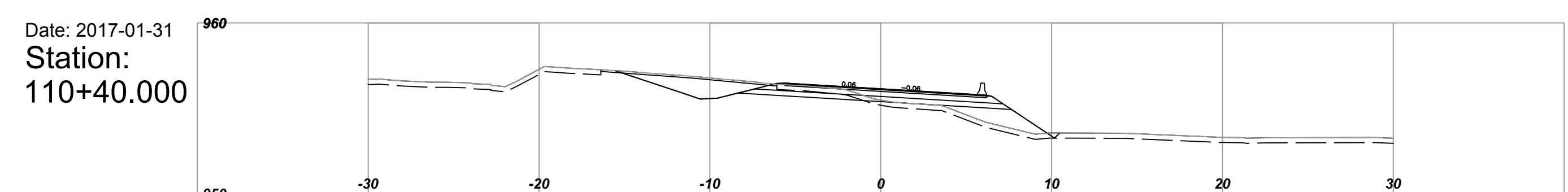
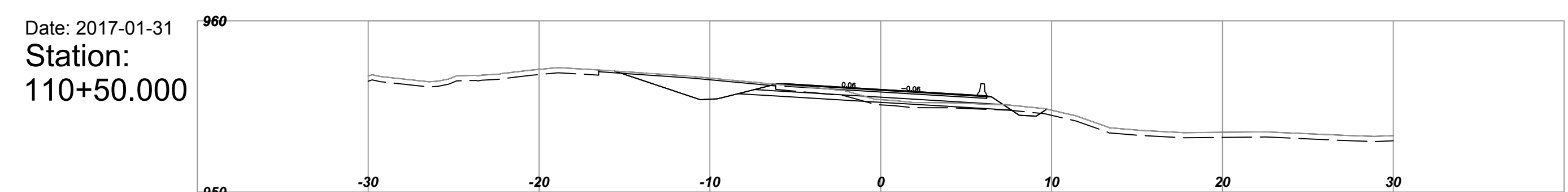
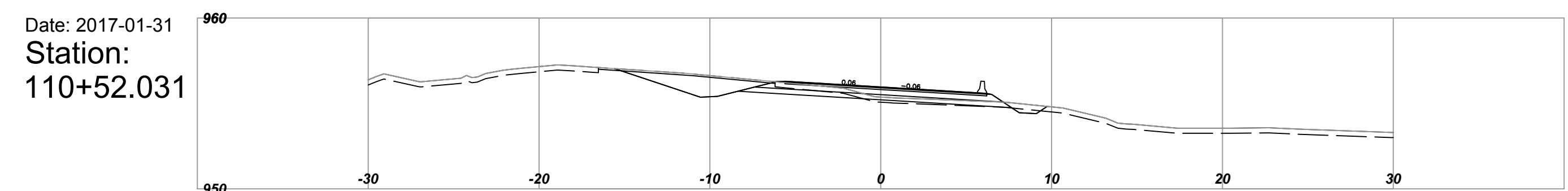
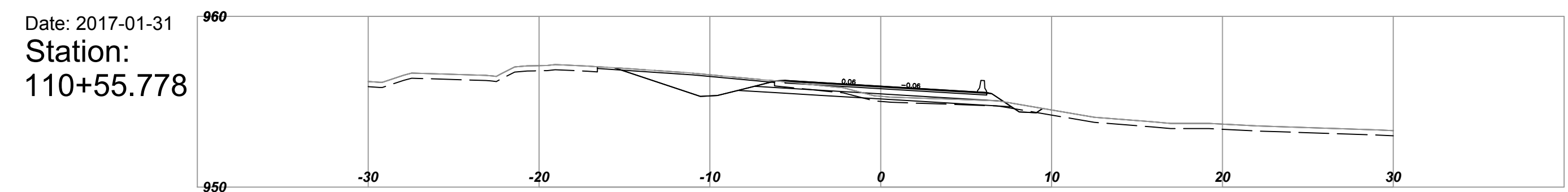
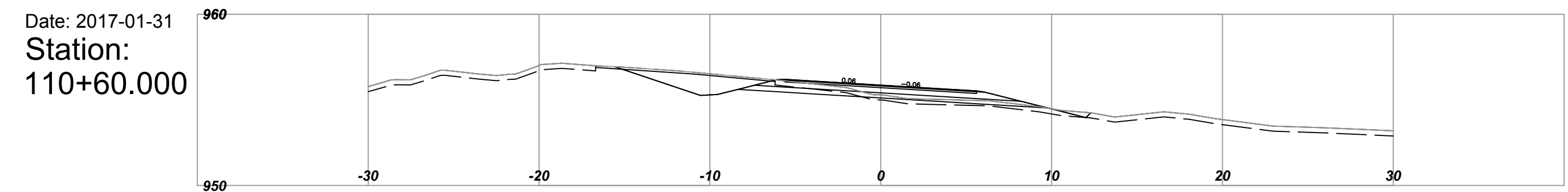
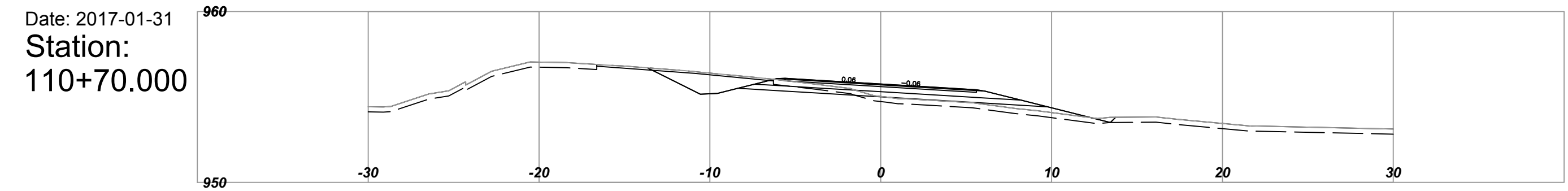
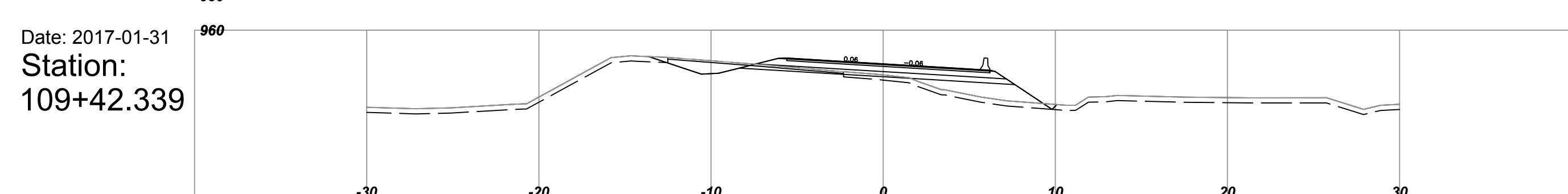
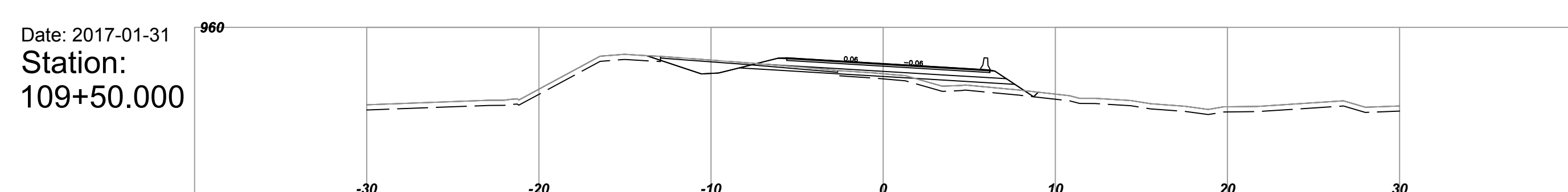
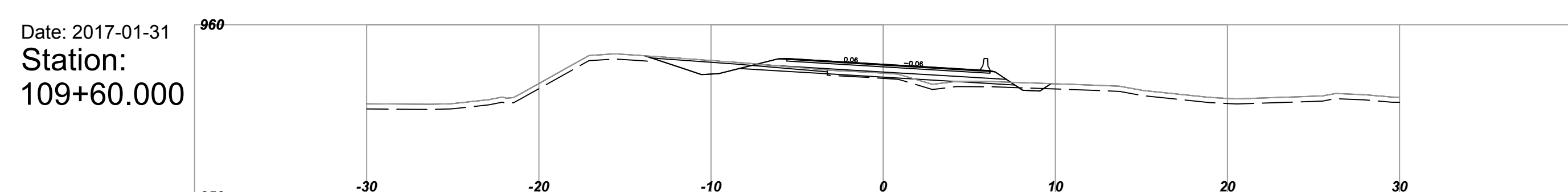
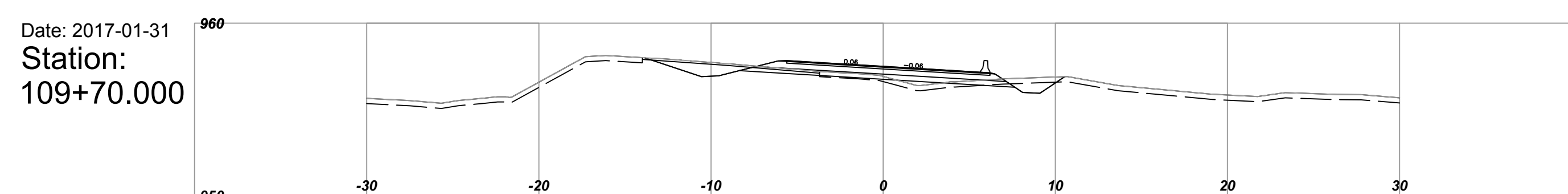
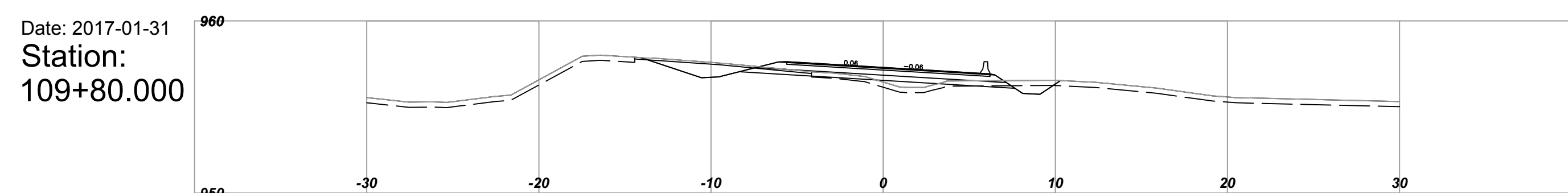
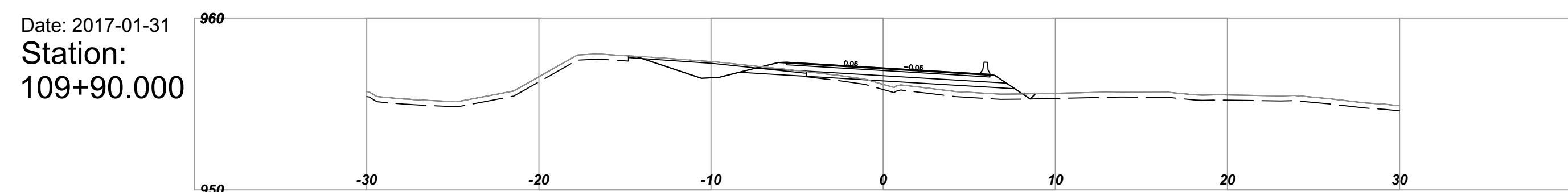
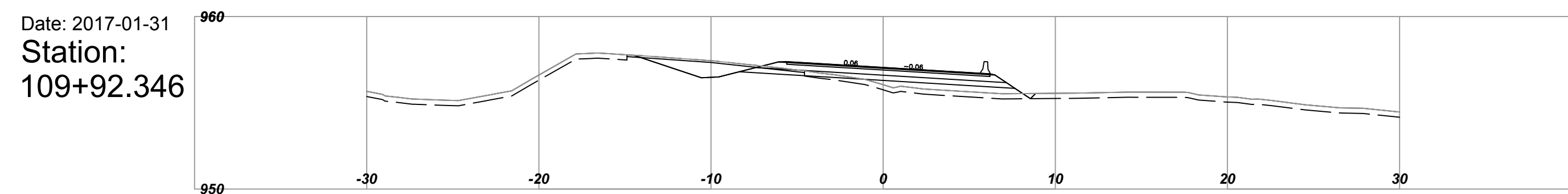
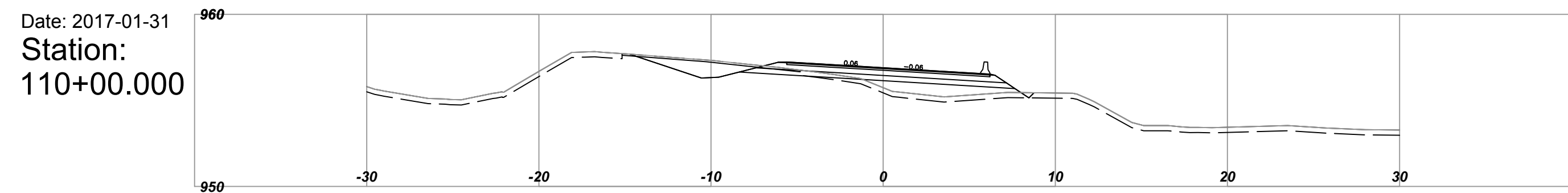
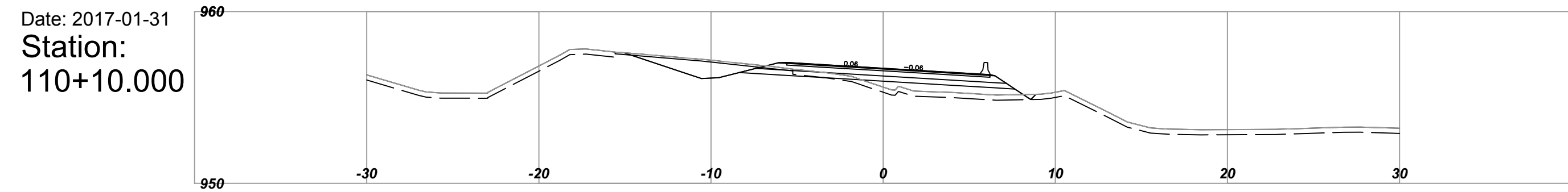
CAD FILENAME _____ DATE _____

 **MINISTRY OF TRANSPORTATION AND INFRASTRUCTURE**
SOUTHERN INTERIOR REGION
HIGHWAY ENGINEERING AND GEOMATICS

DESIGNED: T. EVELAND DATE: 2016-05-25
QUALITY CONTROL: M. HAWKINS DATE: 2016-06-09
QUALITY ASSURANCE: L. GARAND DATE: 2016-11-26
DRAWN: T. EVELAND DATE: 2016-05-25

SENIOR DESIGNER _____
DATE: YYYY-MM-DD


| SECTIONS | | | |
|----------------------------------|----------------|-----|----------------|
| HIGHWAY No.3/ 95 -SWANSEA BRIDGE | | | |
| BRIDGE No.0764 | | | |
| GRADING AND PAVING | | | |
| STA 108+63.791 TO STA 109+41.667 | | | |
| FILE NUMBER | PROJECT NUMBER | REG | DRAWING NUMBER |
| 1634 | 23690-0000 | 2 | SHEET 8 |



SCALE 0 2 1:250 12m

| REV | DATE | REVISIONS | SIGNATURE |
|-----|------|-----------|-----------|
| | | | |
| | | | |
| | | | |

CAD FILENAME: _____ DATE: _____

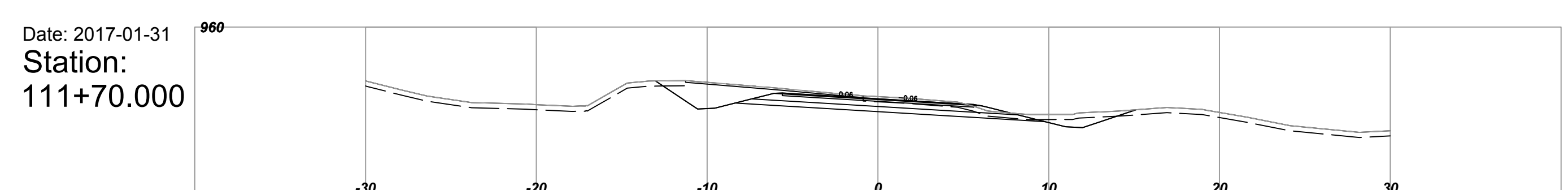
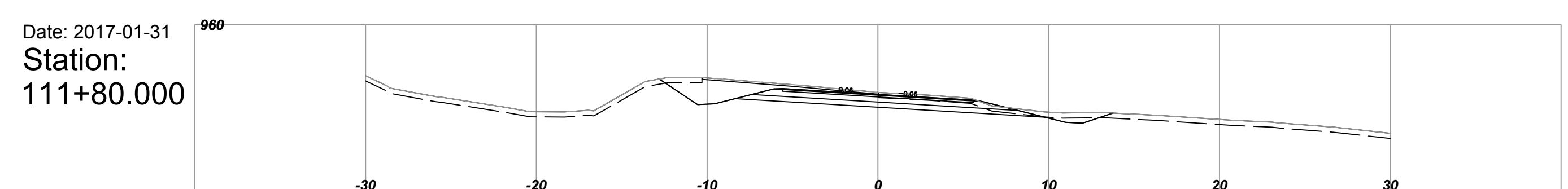
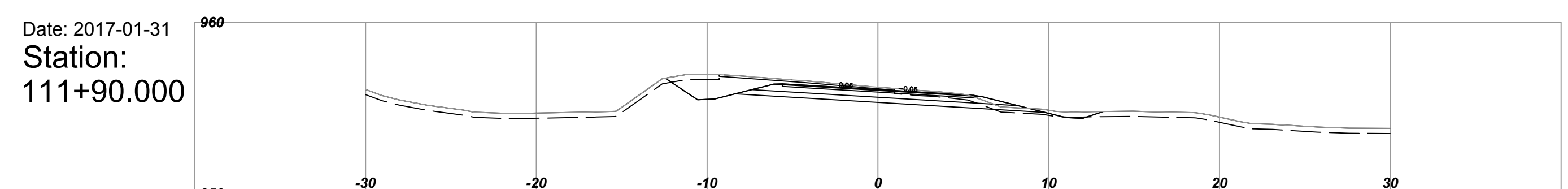
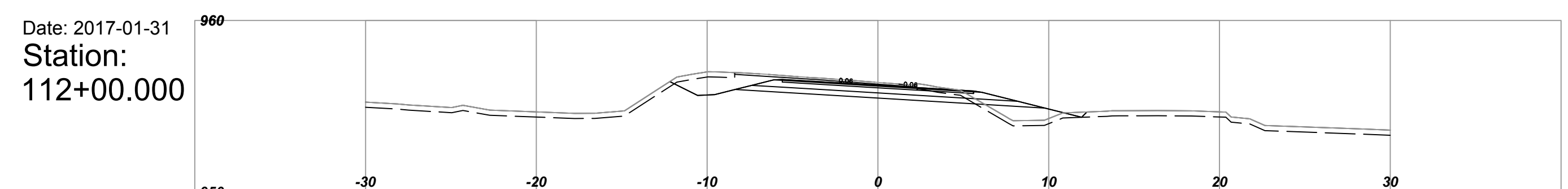
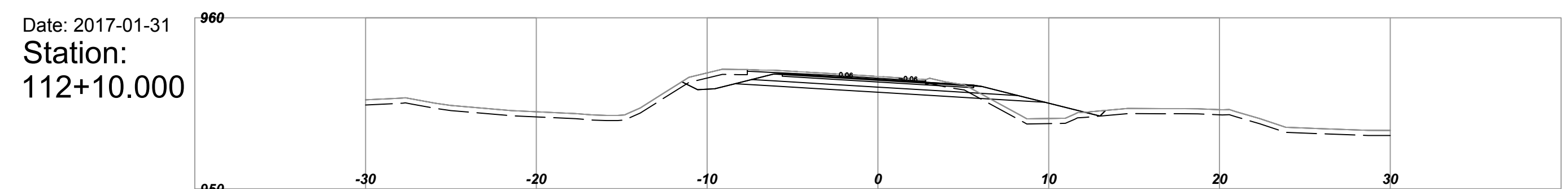
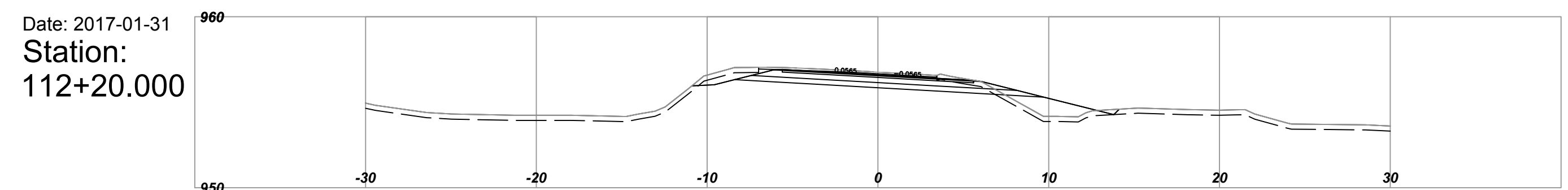
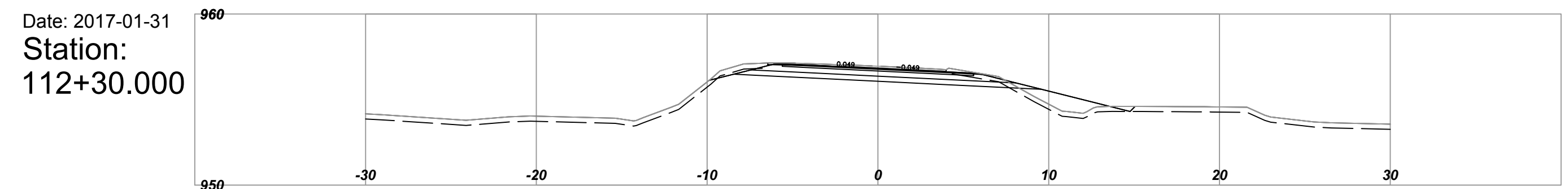
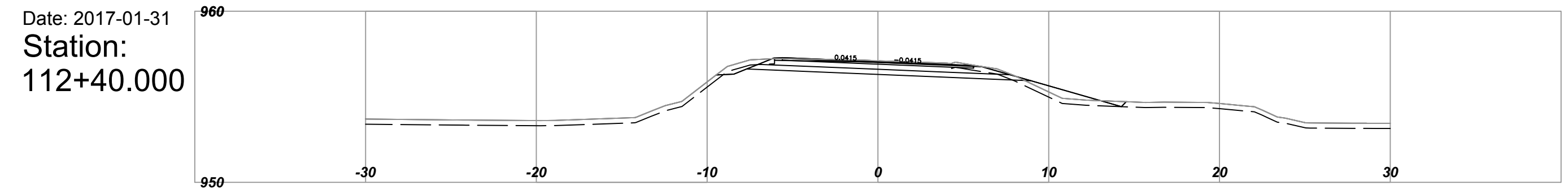
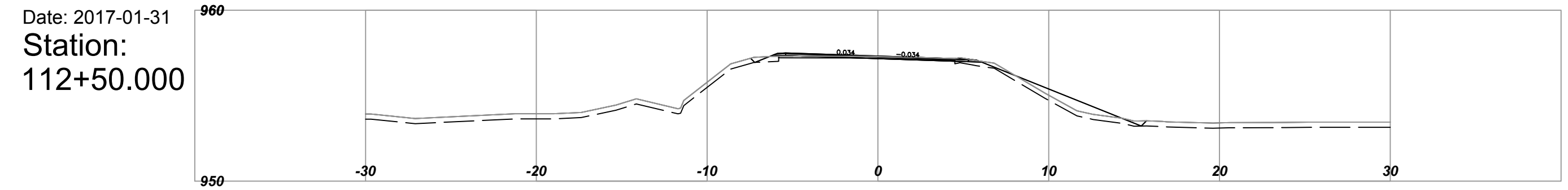
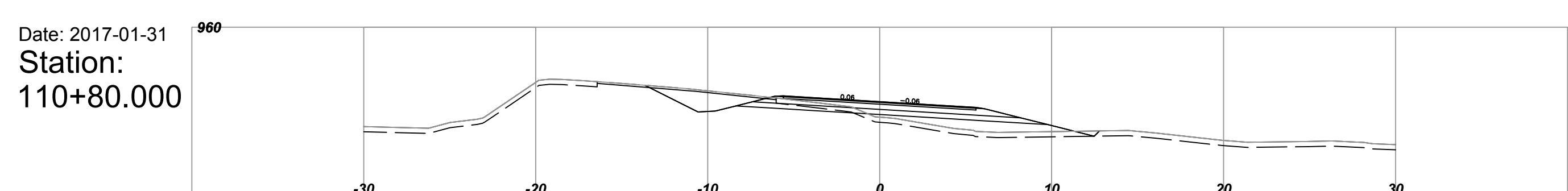
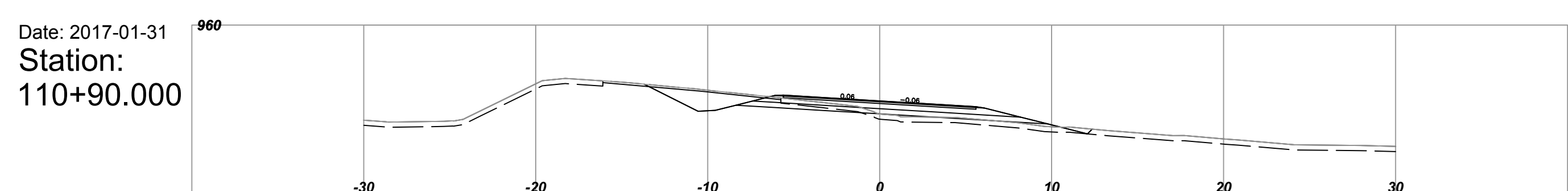
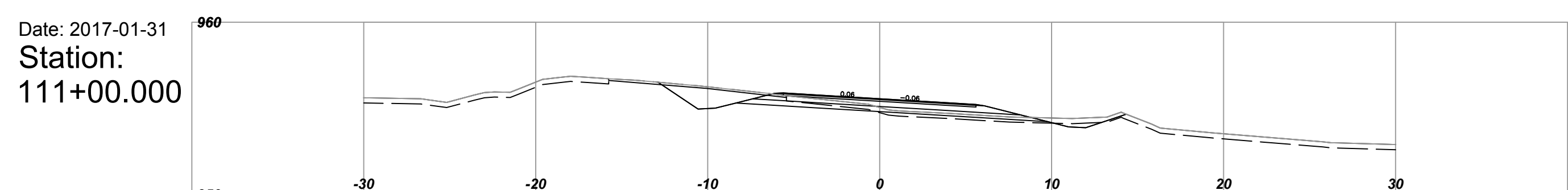
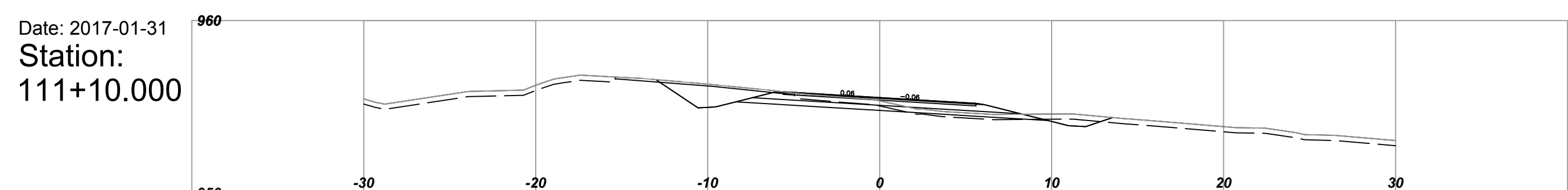
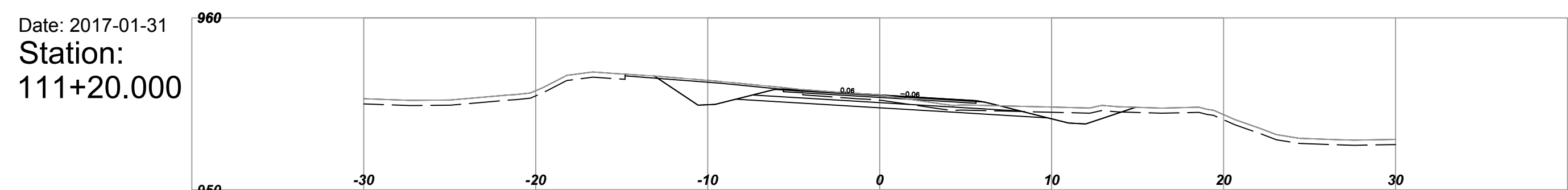
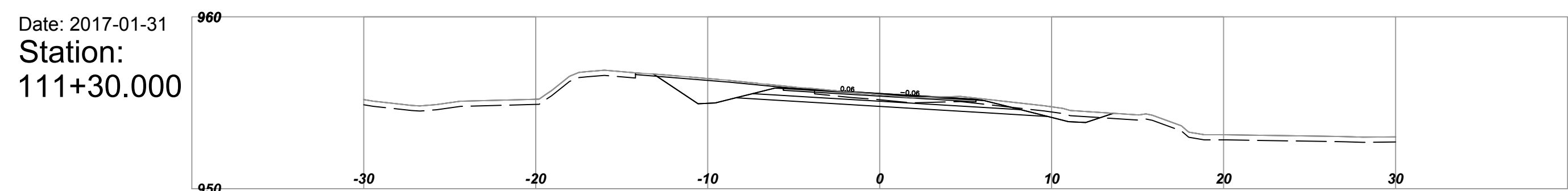
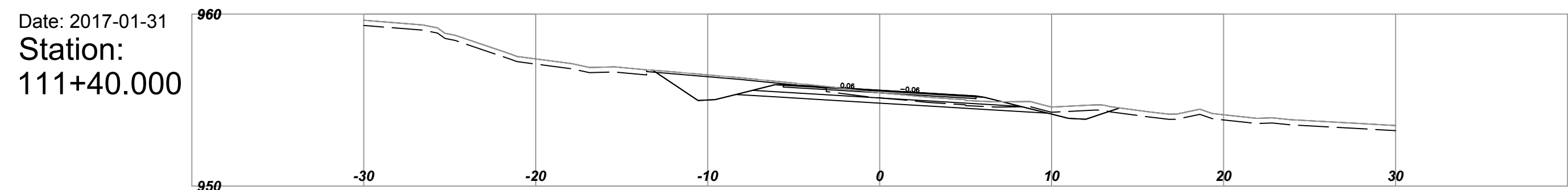
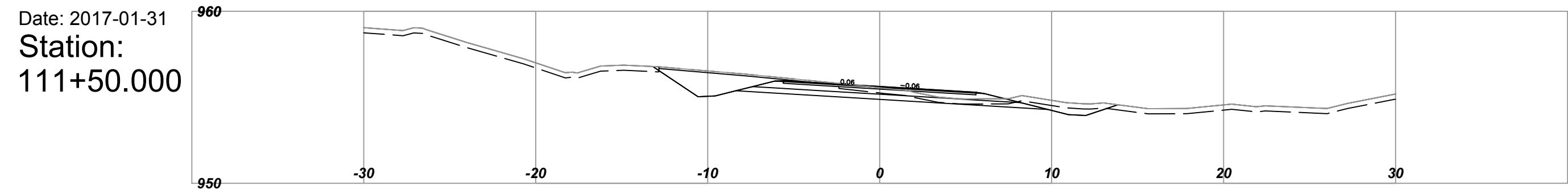
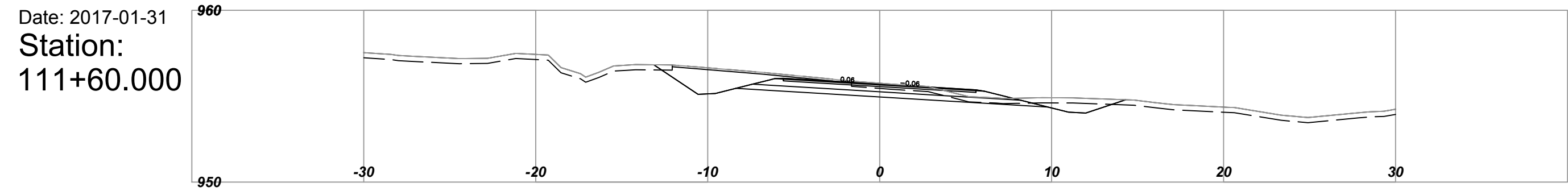


MINISTRY OF TRANSPORTATION AND INFRASTRUCTURE
SOUTHERN INTERIOR REGION
HIGHWAY ENGINEERING AND GEOMATICS

DESIGNED: T. EVELAND DATE: 2016-05-25
QUALITY CONTROL: M. HAWKINS DATE: 2016-06-09
QUALITY ASSURANCE: L. GARAND DATE: 2016-11-26
DRAWN: T. EVELAND DATE: 2016-05-25

SENIOR DESIGNER: _____
DATE: YYYY-MM-DD


| SECTIONS | | | |
|----------------------------------|----------------|-----|----------------|
| HIGHWAY No.3/ 95 -SWANSEA BRIDGE | | | |
| BRIDGE No.0764 | | | |
| GRADING AND PAVING | | | |
| STA 109+42.339 TO STA 110+70.000 | | | |
| FILE NUMBER | PROJECT NUMBER | REG | DRAWING NUMBER |
| 1634 | 23690-0000 | 2 | SHEET 9 |



SCALE 0 2 1:250 12m

| REV | DATE | REVISIONS | SIGNATURE |
|-----|------|-----------|-----------|
| | | | |
| | | | |
| | | | |

CAD FILENAME _____ DATE _____



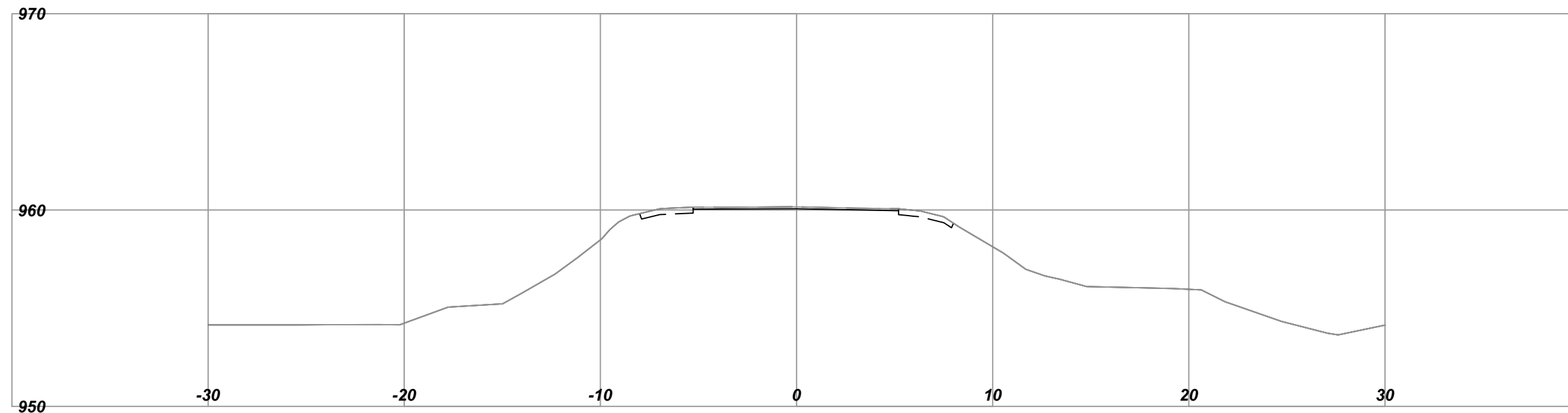
MINISTRY OF TRANSPORTATION AND INFRASTRUCTURE
SOUTHERN INTERIOR REGION
HIGHWAY ENGINEERING AND GEOMATICS

DESIGNED: T. EVELAND DATE: 2016-05-25
QUALITY CONTROL: M. HAWKINS DATE: 2016-06-09
QUALITY ASSURANCE: L. GARAND DATE: 2016-11-26
DRAWN: T. EVELAND DATE: 2016-05-25

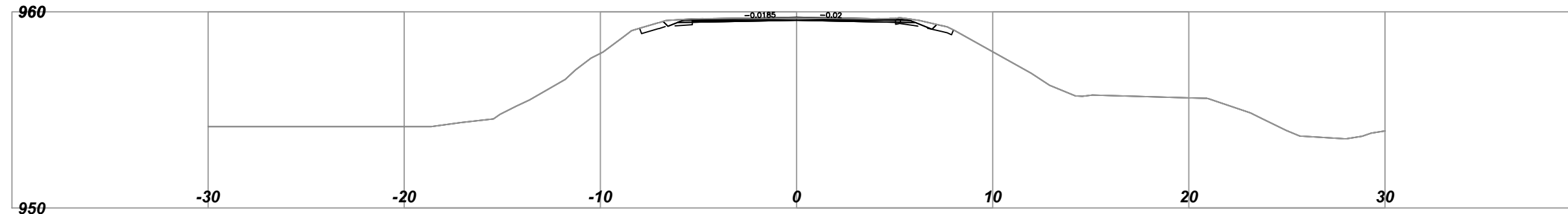
SENIOR DESIGNER _____
DATE: YYYY-MM-DD

| | | | |
|----------------------------------|----------------|-----|----------------|
| SECTIONS | | | |
| HIGHWAY No.3/ 95 -SWANSEA BRIDGE | | | |
| BRIDGE No.0764 | | | |
| GRADING AND PAVING | | | |
| STA 110+80.000 TO STA 112+50.000 | | | |
| FILE NUMBER | PROJECT NUMBER | REG | DRAWING NUMBER |
| 1634 | 23690-0000 | 2 | SHEET 10 |

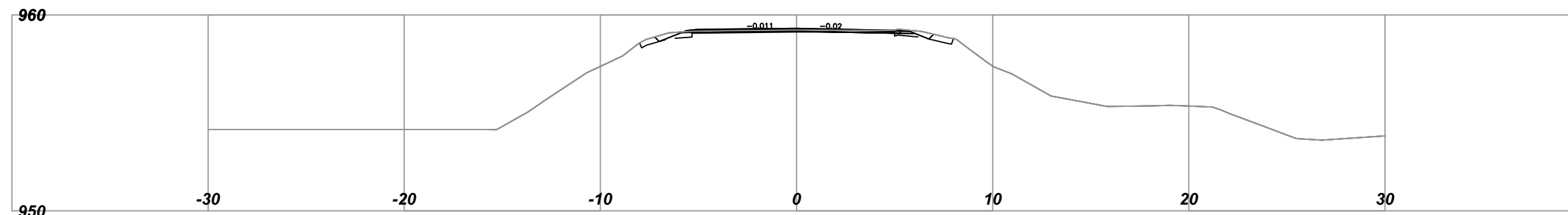
Date: 2017-01-31
Station:
113+30.000



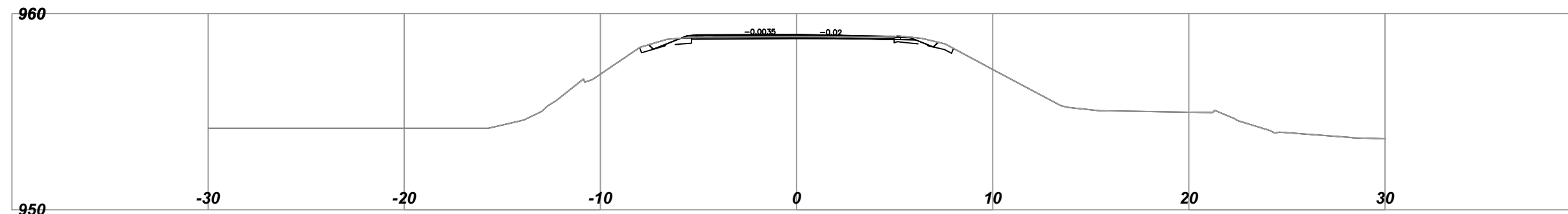
Date: 2017-01-31
Station:
113+20.000



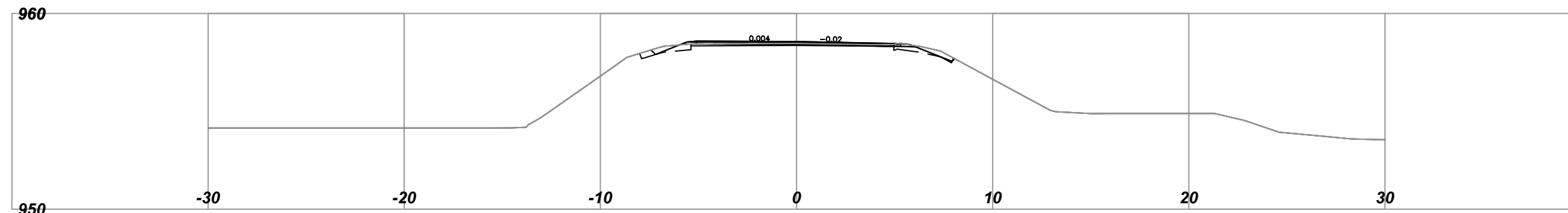
Date: 2017-01-31
Station:
113+10.000



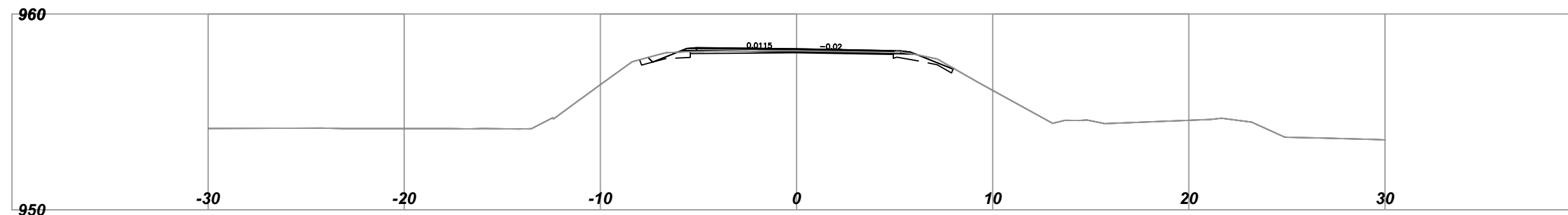
Date: 2017-01-31
Station:
113+00.000



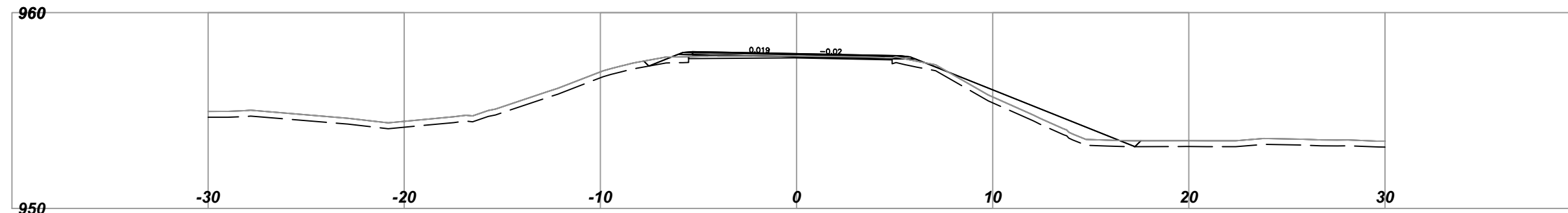
Date: 2017-01-31
Station:
112+90.000



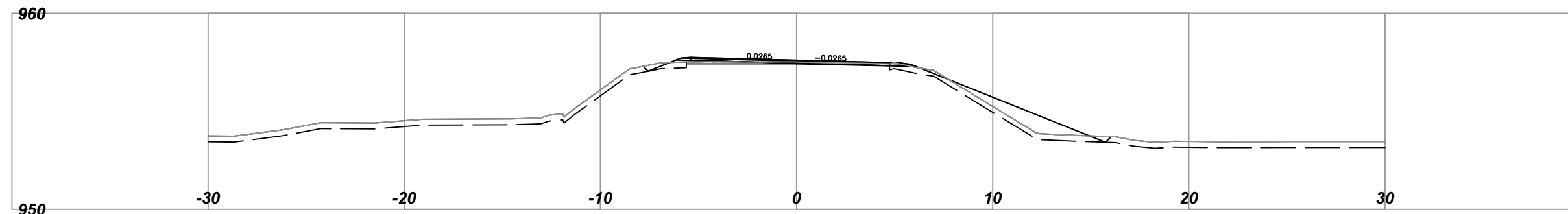
Date: 2017-01-31
Station:
112+80.000



Date: 2017-01-31
Station:
112+70.000



Date: 2017-01-31
Station:
112+60.000



SCALE 0 2 1:250 12m

CAD FILENAME _____ DATE _____

| REV | DATE | REVISIONS | SIGNATURE |
|-----|------|-----------|-----------|
| | | | |
| | | | |
| | | | |



MINISTRY OF TRANSPORTATION AND INFRASTRUCTURE
SOUTHERN INTERIOR REGION
HIGHWAY ENGINEERING AND GEOMATICS

DESIGNED T. EVELAND DATE 2016-05-25
 QUALITY CONTROL M. HAWKINS DATE 2016-06-09
 QUALITY ASSURANCE L. GARAND DATE 2016-11-26
 DRAWN T. EVELAND DATE 2016-05-25

SENIOR DESIGNER _____
DATE YYYY-MM-DD

| SECTIONS | | | |
|----------------------------------|----------------|-----|----------------|
| HIGHWAY No.3/ 95 -SWANSEA BRIDGE | | | |
| BRIDGE No.0764 | | | |
| GRADING AND PAVING | | | |
| STA 112+50.000 TO STA 113+30.000 | | | |
| FILE NUMBER | PROJECT NUMBER | REG | DRAWING NUMBER |
| 1634 | 23690-0000 | 2 | SHEET 11 |