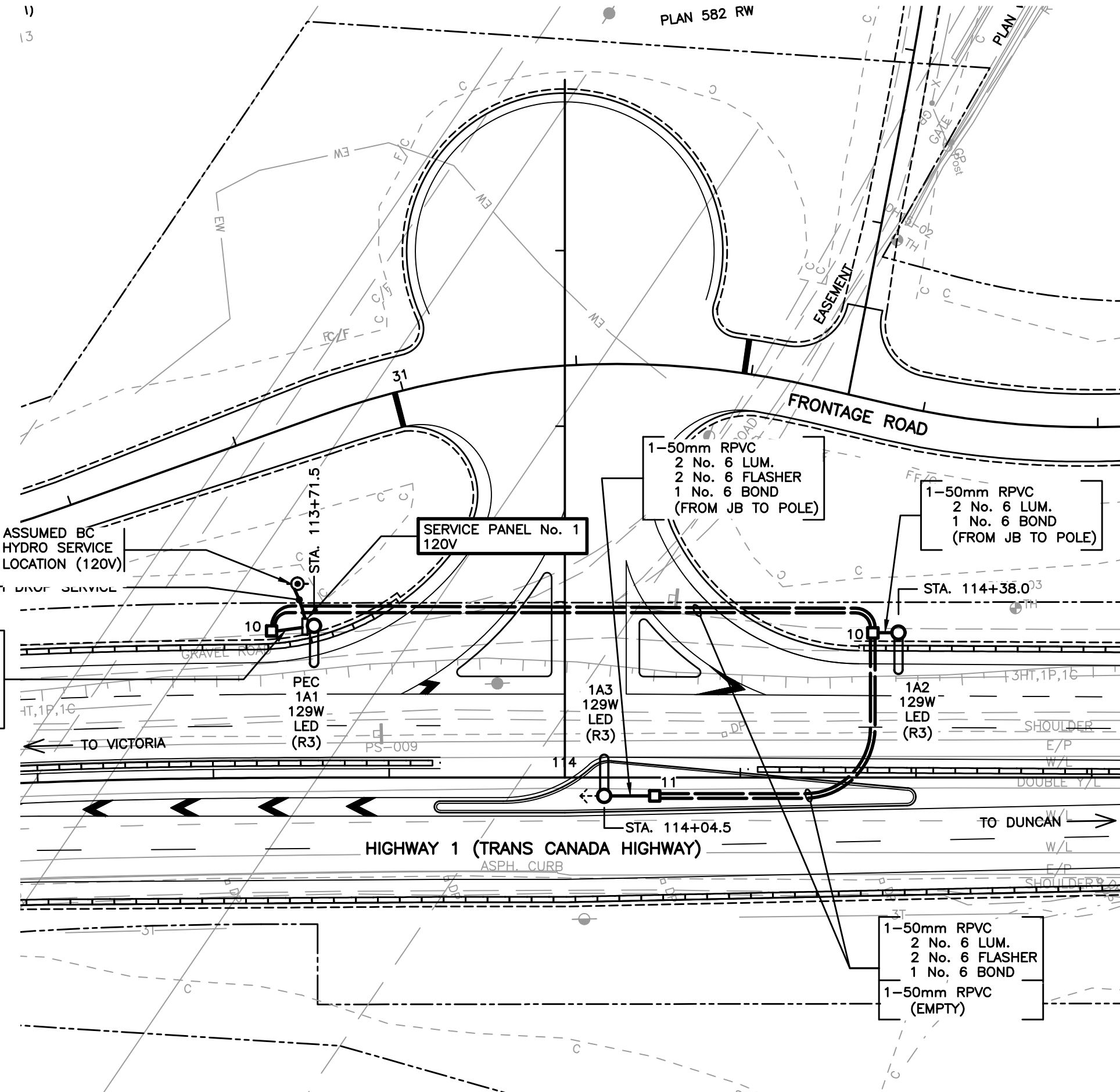


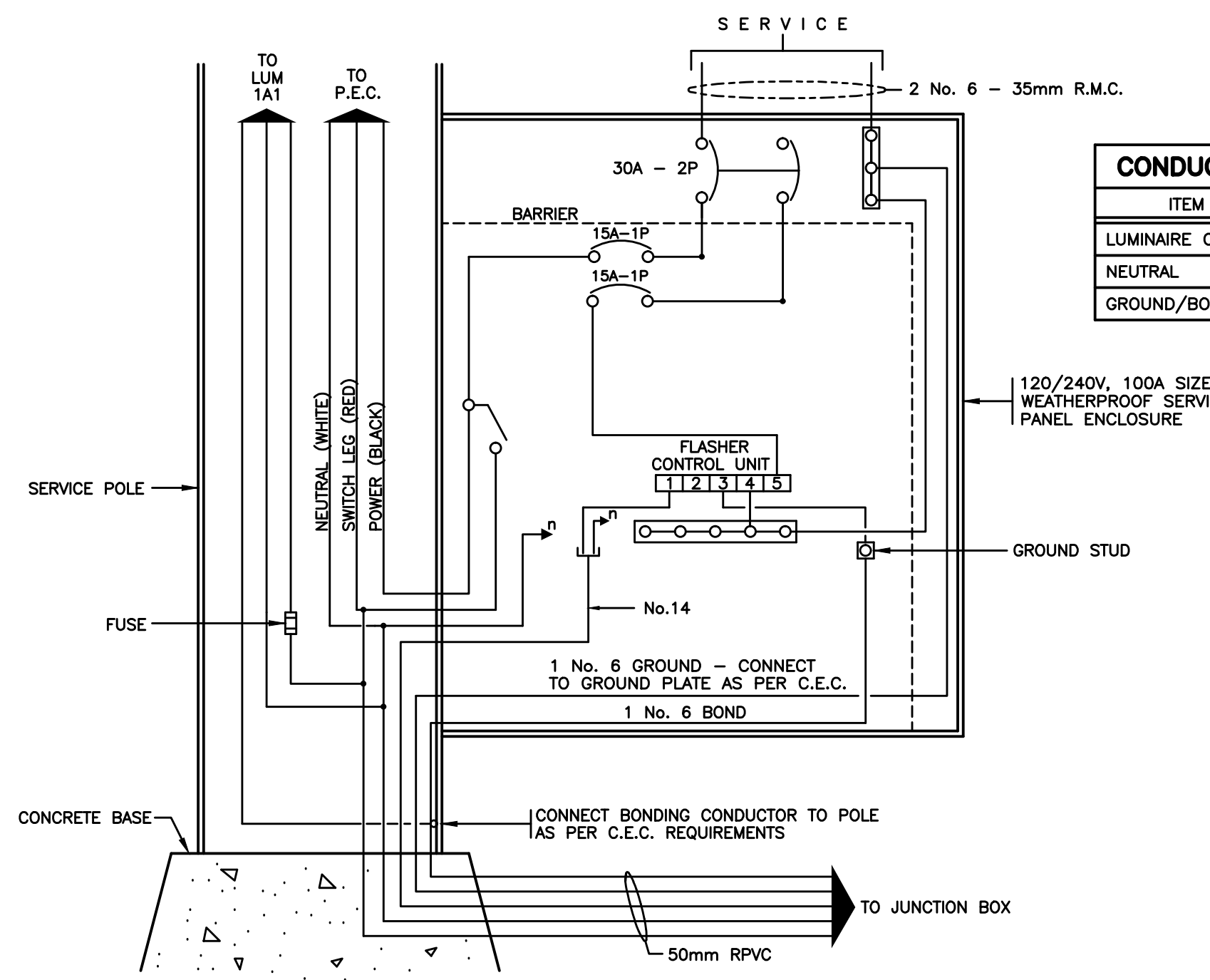
U  
13



- NOTES**
- ALL WORK SHALL BE DONE IN ACCORDANCE WITH THE CURRENT STANDARD SPECIFICATIONS FOR HIGHWAY CONSTRUCTION AND THE ELECTRICAL SPECIAL PROVISIONS ISSUED WITH THIS CONTRACT.
  - CONDUCTORS FROM JUNCTION BOX TO LUMINAIRE POLE SHALL BE:  
2 No. 6 AL  
1 No. 6 AL - 50mm RPVC (UNLESS OTHERWISE NOTED)
  - ALL CONDUITS FROM JUNCTION BOXES TO BASES ARE TO BE 50mm RPVC.
  - JUNCTION BOXES SHALL BE POSITIONED BEHIND OR, AS AN ALTERNATIVE, TO THE SIDE, BUT NOT IN FRONT OF POLES.
  - LUMINAIRE NUMBERING EXAMPLE: 1A2  
SERVICE No. - 1 CCT. LETTER - A LUM. No. - 2
  - WHERE POSSIBLE, POLES SHALL BE POSITIONED WITH THE HANDHOLE IN THE BACK OR IF NOT POSSIBLE, ON THE DOWNSTREAM TRAFFIC SIDE.
  - ALL CONCRETE BASES AND JUNCTION BOX SYMBOLS ARE NOT TO SCALE.
  - ALL NEW JUNCTION BOXES SHALL HAVE STEEL LIDS.
  - ALL CONDUCTORS SHALL BE RW90 STRANDED ALUMINUM UNLESS SHOWN OTHERWISE.
  - GROUND CONDUCTOR SHALL BE RW90 STRANDED COPPER.
  - SECURITY BOLTS REQUIRED FOR ALL HANDHOLE COVERS
  - ALL CONNECTIONS FOR STREET LIGHTING CONDUCTORS IN POLE HANDHOLES SHALL BE COMPLETED WITH COMPRESSION BLOCK TYPE CONNECTIONS (SUNDRY OR APPROVED EQUAL) RATED FOR THE USE WITH ALUMINIUM TO COPPER CONNECTIONS. ALL CONNECTIONS ARE TO HAVE "PENETROX" ELECTRICAL JOINT COMPOUND.

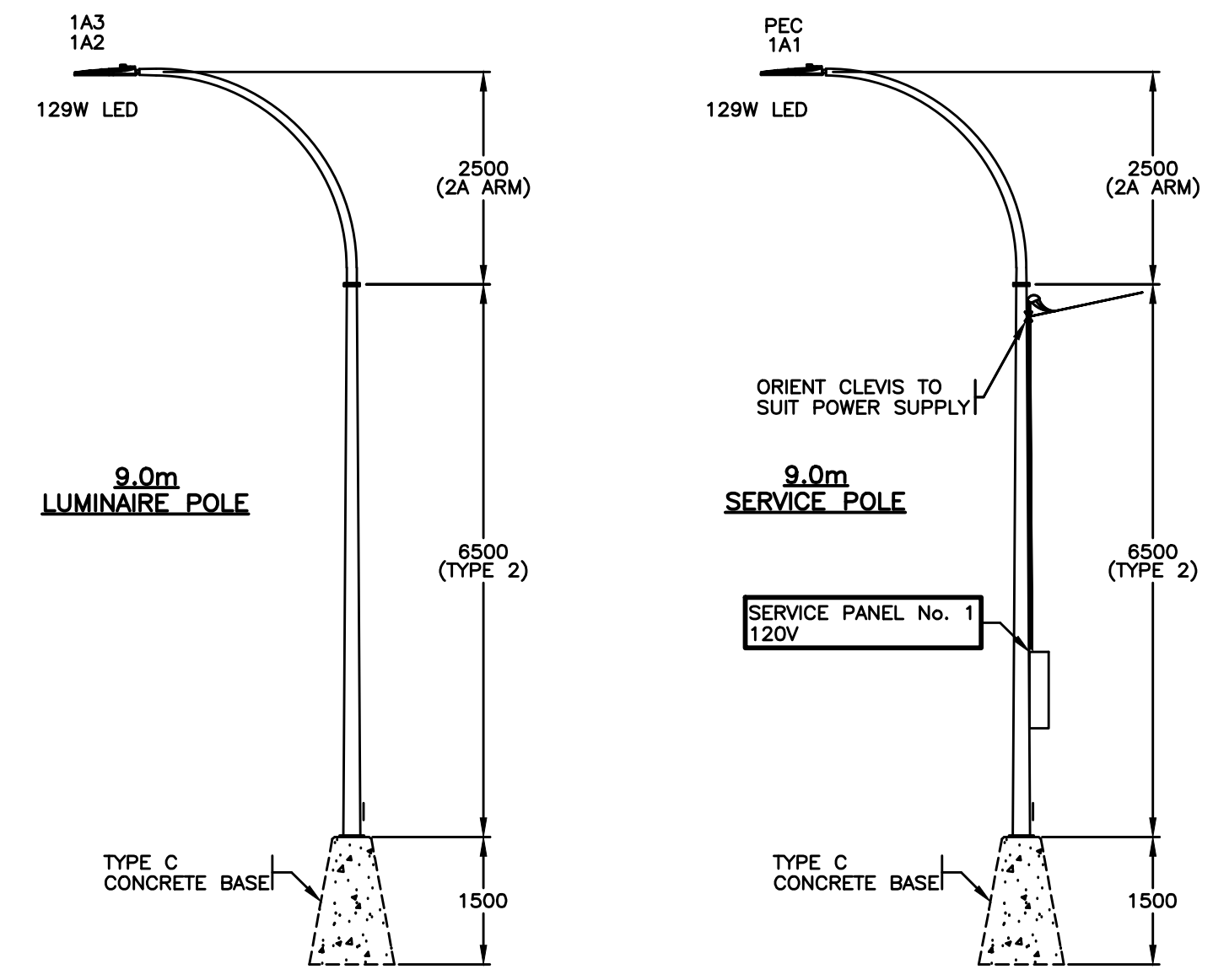
LED LUMINAIRE PRODUCT LIST				
MANUFACTURER	MODEL No.	WATTAGE	DISTRIBUTION TYPE	QUANTITY
ACUITY AUTOBAHN ATB0	129W LED 1300mA 4000K	129W	R3	3
ATB0	30BLEDE13 MVOLT R3 NL			

- LED LUMINAIRE LEGEND**
- XXX ← LUMINAIRE NUMBERING, SEE NOTE #7
  - XXXW ← WATTAGE
  - LED ← LIGHT SOURCE
  - (RX) ← DISTRIBUTION TYPE (OPTICS)
- \* ALL NEW LUMINAIRES SHALL BE LED



CONDUCTOR COLOUR CODE	
ITEM	CONDUCTOR COLOUR
LUMINAIRE CCT. A	RED
NEUTRAL	WHITE
GROUND/BOND	GREEN

**WIRING DIAGRAM - SERVICE PANEL No. 1**  
N.T.S.



**ALL EQUIPMENT IS NEW EXCEPT WHERE NOTED**

**NOT FOR CONSTRUCTION**  
2016-07-21

ALL DIMENSIONS ARE IN MILLIMETERS EXCEPT WHERE NOTED

POSTED SPEED LIMIT 80 km/h ON HIGHWAY 1

SEE "STANDARD SPECIFICATIONS FOR HIGHWAY CONSTRUCTION" FOR APPLICABLE STANDARD DRAWINGS

LEGEND			
	FUTURE CONCRETE BASE AND LUMINAIRE POLE (SINGLE)	PEC	PHOTO ELECTRIC CELL
	LUMINAIRE POLE (SINGLE) 'F' DENOTES FRANGIBLE BASE	RPVC	RIGID P.V.C. CONDUIT
	LUMINAIRE POLE (DOUBLE)	R.C.	RIGID STEEL CONDUIT
	PRIVATE LUMINAIRE (BASE VARIABLE)	F.C.	FLEXIBLE CONDUIT (LIQUID TIGHT)
	POST TOP MOUNTED LUMINAIRE		OVERHEAD FLASHING BEACON
	WALL MOUNTED LUMINAIRE		POST MOUNTED FLASHER
	JUNCTION BOX - No. DENOTES TYPE		BACKGUY
	CONCRETE JUNCTION BOX OR VAULT		POWER POLE
	SIGNAL POLE WITH SIGNAL HEAD MOUNTED ON SIDE		TELEPHONE POLE
	COMBINATION LUMINAIRE/TRAFFIC SIGNAL POLE		POWER/TELEPHONE POLE
	ILLUMINATED SIGN WITH AMBER FLASHERS		SIGNAL HEAD VEHICLE PHASE (T) DENOTES TUNNEL VISOR
	COMBINATION LUMINAIRE/ILLUMINATED SIGN WITH AMBER FLASHERS		SIGNAL HEAD PEDESTRIAN PHASE
	SIGN POLE (NON-ILLUMINATED)		PEDESTRIAN PUSHBUTTON
	ILLUMINATED SIGN POLE		
	COMBINATION LUMINAIRE/NON-ILLUMINATED SIGN		
	COMBINATION LUMINAIRE/ILLUMINATED SIGN		
	TEST SWITCH		RAISED CURB
	BREAKER		PROPERTY LINE
	NEUTRAL BAR		EDGE OF GRAVEL SHOULDER
	DIAMOND DETECTOR LOOP (WITH LOOP LEADER)		EDGE OF PAVEMENT
	PRE-FORMED DETECTOR LOOP		PAINT LINE
	ROUND DETECTOR LOOP		FUTURE ELECTRICAL AND GEOMETRICS
	RECTANGULAR COUNT LOOP		ELECTRICAL EQUIPMENT TO BE REMOVED
	QUADRAPOLE DETECTOR LOOP		PROPOSED UNDERGROUND CONDUIT
			EXISTING UNDERGROUND CONDUIT
			FENCE
			CORRUGATED METAL PIPE (CULVERT)
			U/G UTILITY:
			'G' DENOTES GAS
			'S' DENOTES STORM DRAINS/SEWERS
			'W' DENOTES WATER
			'E' DENOTES ELECTRIC
			'UT' DENOTES TELEPHONE
			'SAN' DENOTES SANITARY SEWER

**DMD & Associates Ltd.**  
#12-17358 104A Avenue, Surrey, BC, Canada V4N 5M3  
www.dmdeng.com 604/589-9010  
office@dmdeng.com Fax 604/589-9012  
DMD PROJECT No. 5443-16-02 of 05

**BRITISH COLUMBIA**  
The Best Place on Earth

**MINISTRY OF TRANSPORTATION AND INFRASTRUCTURE**  
ELECTRICAL ENGINEERING CENTRE

CAD FILENAME: 160401.dwg

REV	DATE	REVISIONS	DRAWN
	JUL16	DRAWING ISSUED	

LIGHTING INSTALLATION  
HIGHWAY 1 AT STA. 114+00  
VICTORIA

SITE PLAN - ELEVATIONS - NOTES - WIRING DIAGRAM

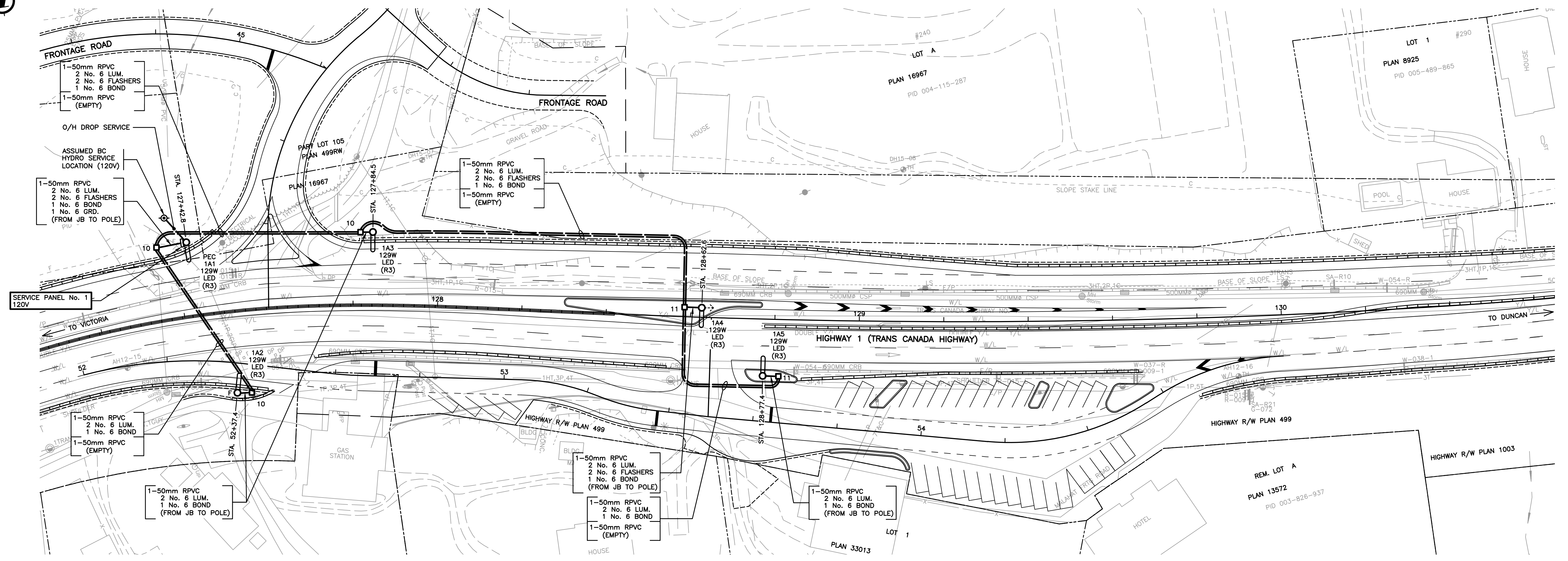
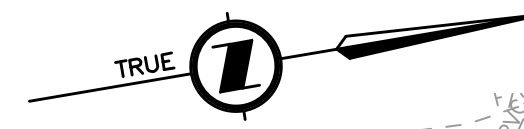
DESIGNED	KGS	DATE	JUL16
QUALITY CONTROL	DJW	DATE	JUL16
QUALITY ASSURANCE	DSM	DATE	JUL16
TRAN ELECTRICAL DESIGN REVIEW		DATE	

ELECTRICAL ENGINEER OF RECORD (FOR CURRENT REVISION)  
DATE

SHEET NUMBER: 1 OF 1  
DRAWING NUMBER: TE-16040-1

CANCEL PRINTS BEARING PREVIOUS LETTER





**SITE PLAN**  
0 1:500 25

- NOTES**
- ALL WORK SHALL BE DONE IN ACCORDANCE WITH THE CURRENT STANDARD SPECIFICATIONS FOR HIGHWAY CONSTRUCTION AND THE ELECTRICAL SPECIAL PROVISIONS ISSUED WITH THIS CONTRACT.
  - CONDUCTORS FROM JUNCTION BOX TO LUMINAIRE POLE SHALL BE:  
2 No. 6 AL  
1 No. 6 AL — 50mm RPVC (UNLESS OTHERWISE NOTED)
  - ALL CONDUITS FROM JUNCTION BOXES TO BASES ARE TO BE 50mm RPVC.
  - JUNCTION BOXES SHALL BE POSITIONED BEHIND OR, AS AN ALTERNATIVE, TO THE SIDE, BUT NOT IN FRONT OF POLES.
  - LUMINAIRE NUMBERING EXAMPLE: 1A2  
SERVICE No. - 1    CCT. LETTER - A    LUM. No. - 2
  - WHERE POSSIBLE, POLES SHALL BE POSITIONED WITH THE HANDHOLE IN THE BACK OR IF NOT POSSIBLE, ON THE DOWNSTREAM TRAFFIC SIDE.
  - ALL CONCRETE BASES AND JUNCTION BOX SYMBOLS ARE NOT TO SCALE.
  - ALL NEW JUNCTION BOXES SHALL HAVE STEEL LIDS.
  - ALL CONDUCTORS SHALL BE RW90 STRANDED ALUMINUM UNLESS SHOWN OTHERWISE.
  - GROUND CONDUCTOR SHALL BE RW90 STRANDED COPPER.
  - SECURITY BOLTS REQUIRED FOR ALL HANDHOLE COVERS
  - ALL CONNECTIONS FOR STREET LIGHTING CONDUCTORS IN POLE HANDHOLES SHALL BE COMPLETED WITH COMPRESSION BLOCK TYPE CONNECTIONS (BURNDY OR APPROVED EQUAL) RATED FOR THE USE WITH ALUMINUM TO COPPER CONNECTIONS. ALL CONNECTIONS ARE TO HAVE "PENETROX" ELECTRICAL JOINT COMPOUND.
  - ALL LED LUMINAIRES SHALL BE PROVIDED WITH LAMP WATTAGE LABEL (BLACK LETTERING ON WHITE BACKGROUND) TO NEMA STANDARDS.

LED LUMINAIRE PRODUCT LIST				
MANUFACTURER	MODEL No.	WATTAGE	DISTRIBUTION TYPE	QUANTITY
ACUITY AUTOBAHN ATB0	129W LED 1300mA 4000K	129W	R3	5

- LED LUMINAIRE LEGEND**
- XXX — LUMINAIRE NUMBERING, SEE NOTE #7
  - XXXW — WATTAGE
  - LED — LIGHT SOURCE
  - (RX) — DISTRIBUTION TYPE (OPTICS)
- \* ALL NEW LUMINAIRES SHALL BE LED

**ALL EQUIPMENT IS NEW EXCEPT WHERE NOTED**

**NOT FOR CONSTRUCTION**  
2016-07-21

**ALL DIMENSIONS ARE IN MILLIMETERS EXCEPT WHERE NOTED**

**POSTED SPEED LIMIT 80 km/h ON HIGHWAY 1**

**SEE "STANDARD SPECIFICATIONS FOR HIGHWAY CONSTRUCTION" FOR APPLICABLE STANDARD DRAWINGS**

LEGEND			
	FUTURE CONCRETE BASE AND LUMINAIRE POLE (SINGLE)	PEC	PHOTO ELECTRIC CELL
	LUMINAIRE POLE (SINGLE) 'F' DENOTES FRANGIBLE BASE	RPVC	RIGID P.V.C. CONDUIT
	LUMINAIRE POLE (DOUBLE)	R.C.	RIGID STEEL CONDUIT
	PRIVATE LUMINAIRE (BASE VARIABLE)	F.C.	FLEXIBLE CONDUIT (LIQUID TIGHT)
	POST TOP MOUNTED LUMINAIRE	OFB	OVERHEAD FLASHING BEACON
	WALL MOUNTED LUMINAIRE	PMF	POST MOUNTED FLASHER
	10 JUNCTION BOX - No. DENOTES TYPE	BG	BACKGUY
	CJB CONCRETE JUNCTION BOX OR VAULT	PP	POWER POLE
	SIGNAL POLE WITH SIGNAL HEAD MOUNTED ON SIDE	TP	TELEPHONE POLE
	COMBINATION LUMINAIRE/TRAFFIC SIGNAL POLE	PP/P	POWER/TELEPHONE POLE
	ILLUMINATED SIGN WITH AMBER FLASHERS	A,B,T, A2(T)	SIGNAL HEAD VEHICLE PHASE (T) DENOTES TUNNEL VISOR
	COMBINATION LUMINAIRE/ILLUMINATED SIGN WITH AMBER FLASHERS	PA,PB, PA1,PB2	SIGNAL HEAD PEDESTRIAN PHASE
	SIGN POLE (NON-ILLUMINATED)	ppb	PEDESTRIAN PUSHBUTTON
	ILLUMINATED SIGN POLE		
	COMBINATION LUMINAIRE/NON-ILLUMINATED SIGN		
	COMBINATION LUMINAIRE/ILLUMINATED SIGN		
	TEST SWITCH		
	BREAKER		
	NEUTRAL BAR		
	DIAMOND DETECTOR LOOP (WITH LOOP LEADER)		
	PRE-FORMED DETECTOR LOOP		
	ROUND DETECTOR LOOP		
	RECTANGULAR COUNT LOOP		
	QUADRANGLE DETECTOR LOOP		
	RAISED CURB		
	PROPERTY LINE		
	EDGE OF GRAVEL SHOULDER		
	EDGE OF PAVEMENT		
	PAINT LINE		
	FUTURE ELECTRICAL AND GEOMETRICS		
	ELECTRICAL EQUIPMENT TO BE REMOVED		
	PROPOSED UNDERGROUND CONDUIT		
	EXISTING UNDERGROUND CONDUIT		
	FENCE		
	CORRUGATED METAL PIPE (CULVERT)		
	U/G UTILITY:		
	'G' DENOTES GAS		
	'S' DENOTES STORM DRAINS/SEWERS		
	'W' DENOTES WATER		
	'E' DENOTES ELECTRIC		
	'UT' DENOTES TELEPHONE		
	'SAN' DENOTES SANITARY SEWER		

**DMD & Associates Ltd.**  
#12-17358 104A Avenue, Surrey, BC, Canada V4N 5M3  
www.dmdeng.com 604/589-9010  
office@dmdeng.com Fax 604/589-9012  
DMD PROJECT No. 5443-16-03 of 05

**BRITISH COLUMBIA**  
The Best Place on Earth

**MINISTRY OF TRANSPORTATION AND INFRASTRUCTURE**  
ELECTRICAL ENGINEERING CENTRE

CAD FILENAME: 160411.dwg

REV	DATE	REVISIONS	DRAWN
	JUL16	DRAWING ISSUED	

**LIGHTING INSTALLATION**  
HIGHWAY 1 AT STA. 127+80.0  
VICTORIA

**SITE PLAN - NOTES**

DESIGNED	KGS	DATE	JUL16
QUALITY CONTROL	DSM	DATE	JUL16
QUALITY ASSURANCE	DSM	DATE	JUL16
TRAN ELECTRICAL DESIGN REVIEW		DATE	

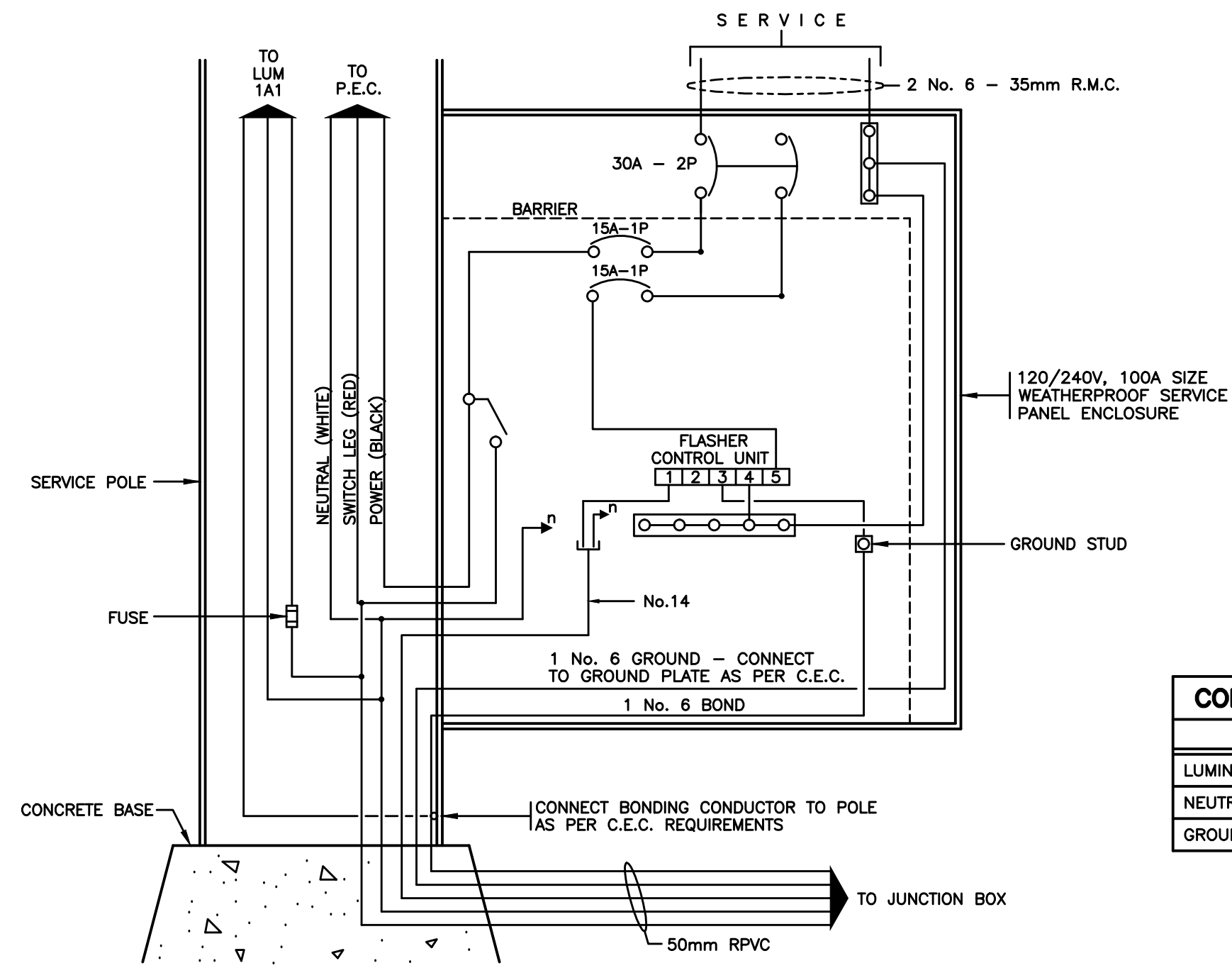
ELECTRICAL ENGINEER OF RECORD (FOR CURRENT REVISION)  
DATE

SHEET NUMBER: SHEET 1 OF 2

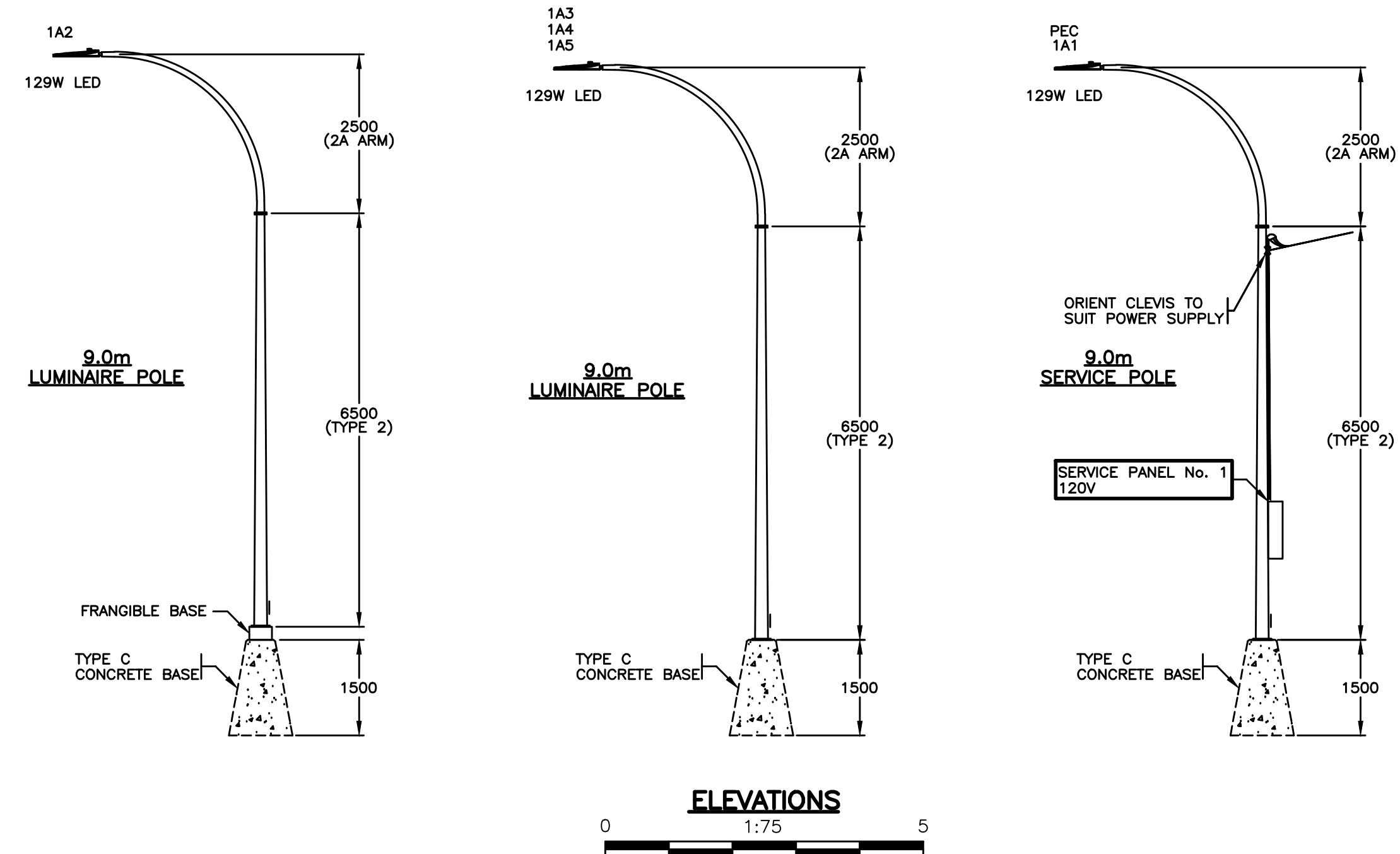
DRAWING NUMBER: TE-16041-1

CANCEL PRINTS BEARING PREVIOUS LETTER





CONDUCTOR COLOUR CODE	
ITEM	CONDUCTOR COLOUR
LUMINAIRE C.T. A	RED
NEUTRAL	WHITE
GROUND/BOND	GREEN



ALL EQUIPMENT IS NEW  
EXCEPT WHERE NOTED

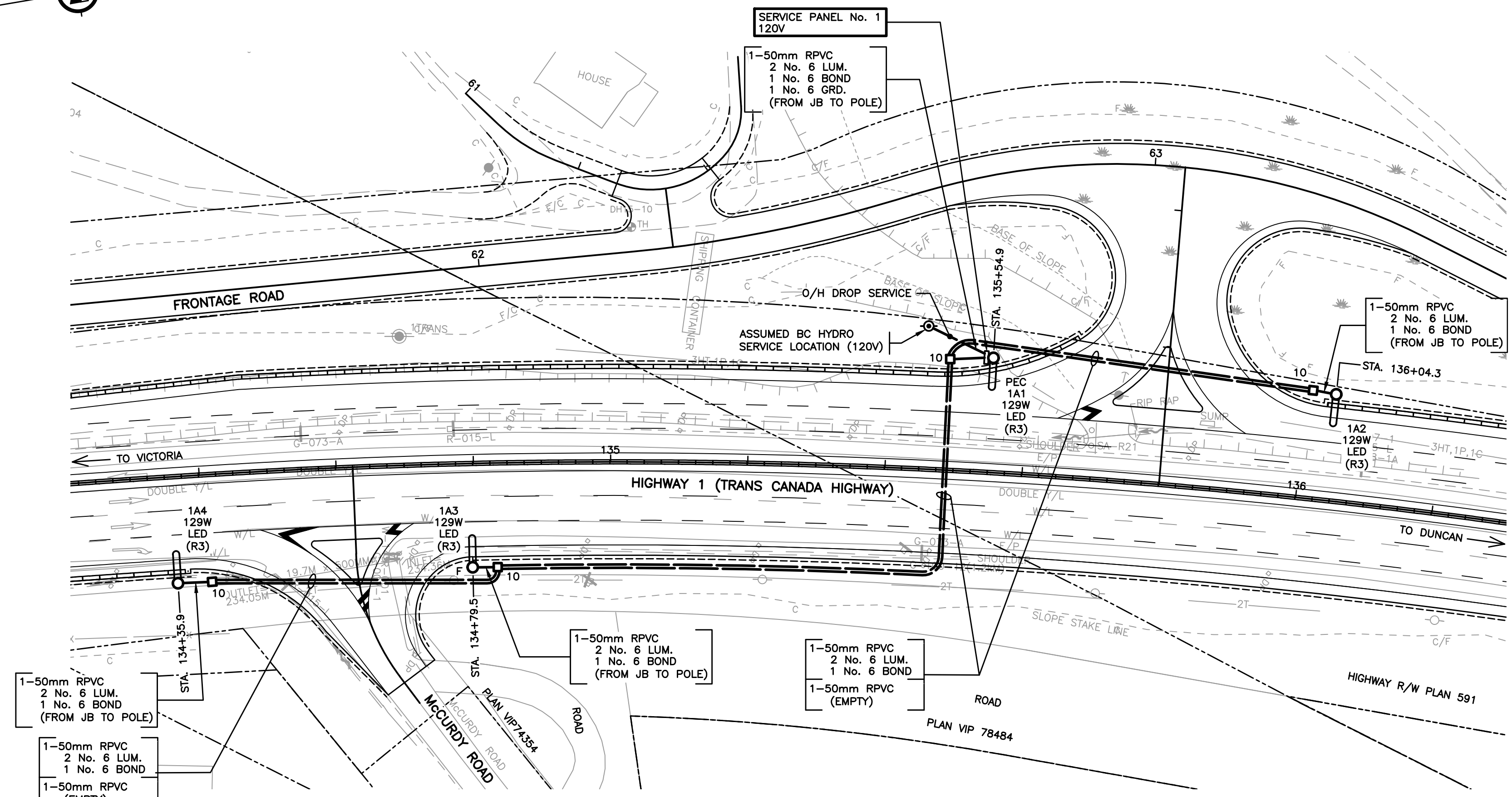
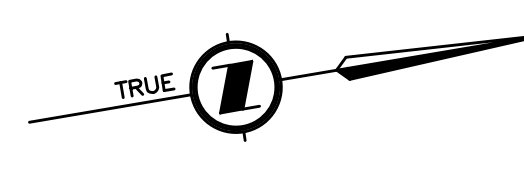
NOT FOR CONSTRUCTION  
2016-07-21

ALL DIMENSIONS ARE IN MILLIMETERS  
EXCEPT WHERE NOTED

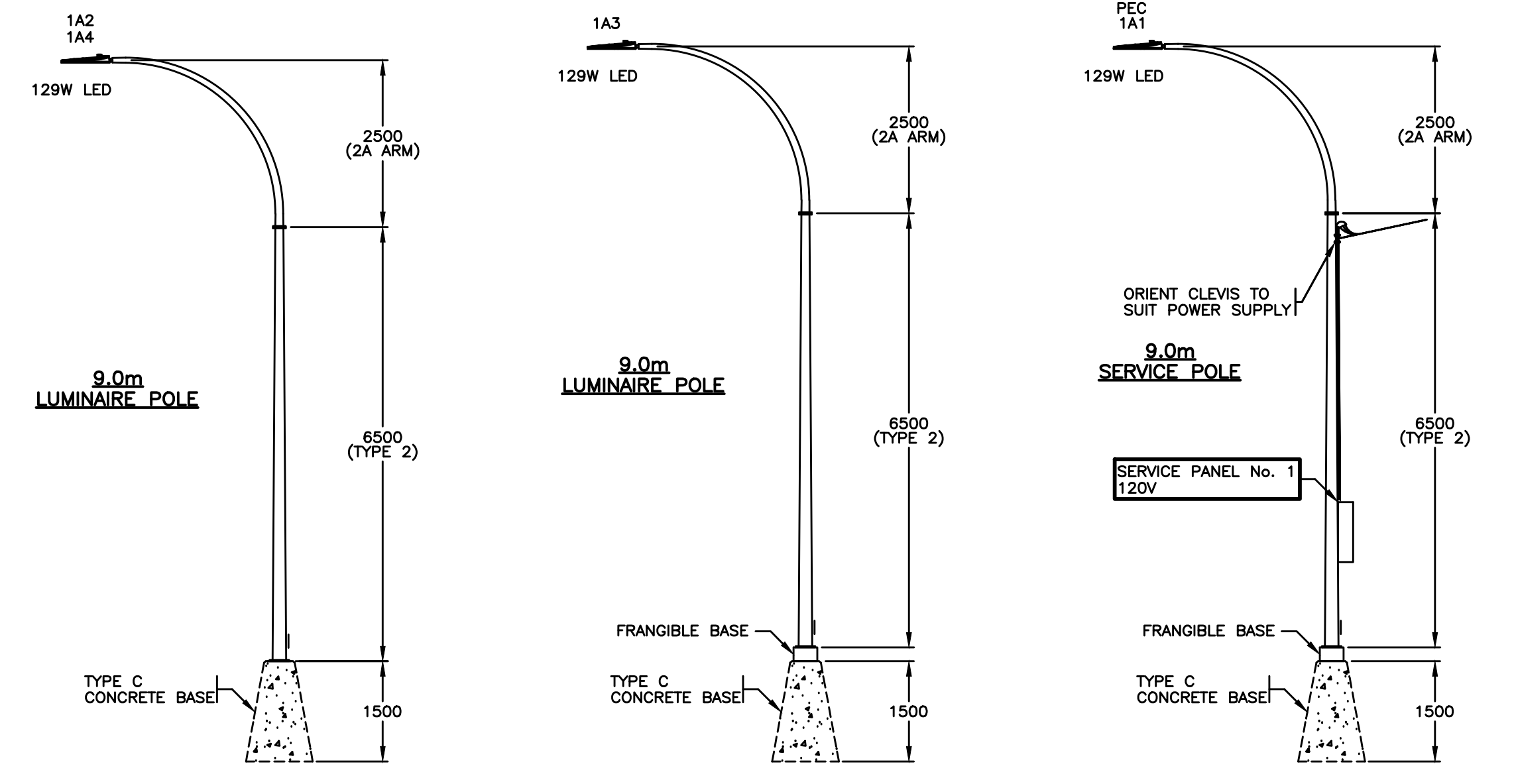
SEE "STANDARD SPECIFICATIONS FOR HIGHWAY CONSTRUCTION"  
FOR APPLICABLE STANDARD DRAWINGS

		<b>DMD &amp; Associates Ltd.</b> #12-17358 104A Avenue, Surrey, BC, Canada V4N 5M3 www.dmdeng.com 604/589-9010 office@dmdeng.com Fax 604/589-9012 DMD PROJECT No. 5443-16-04 of 05		<b>BRITISH COLUMBIA</b> The Best Place on Earth		<b>MINISTRY OF TRANSPORTATION AND INFRASTRUCTURE</b> ELECTRICAL ENGINEERING CENTRE	
CAD FILENAME 160412.dwg				LIGHTING INSTALLATION HIGHWAY 1 AT STA. 127+80.0 VICTORIA			
WIRING DIAGRAM - ELEVATIONS				DESIGNED _____ KGS DATE _____ JUL/16 QUALITY CONTROL _____ DSM DATE _____ JUL/16 QUALITY ASSURANCE _____ DSM DATE _____ JUL/16 TRAN ELECTRICAL DESIGN REVIEW _____ DATE _____			
REV. DATE REVISIONS DRAWN		SHEET NUMBER		HWY DIST REG		DRAWING NUMBER	
. JUL/16 DRAWING ISSUED		SHEET 1 OF 2		SEAL		TE-16041-2	

CANCEL PRINTS BEARING PREVIOUS LETTER



**SITE PLAN**  
1:500



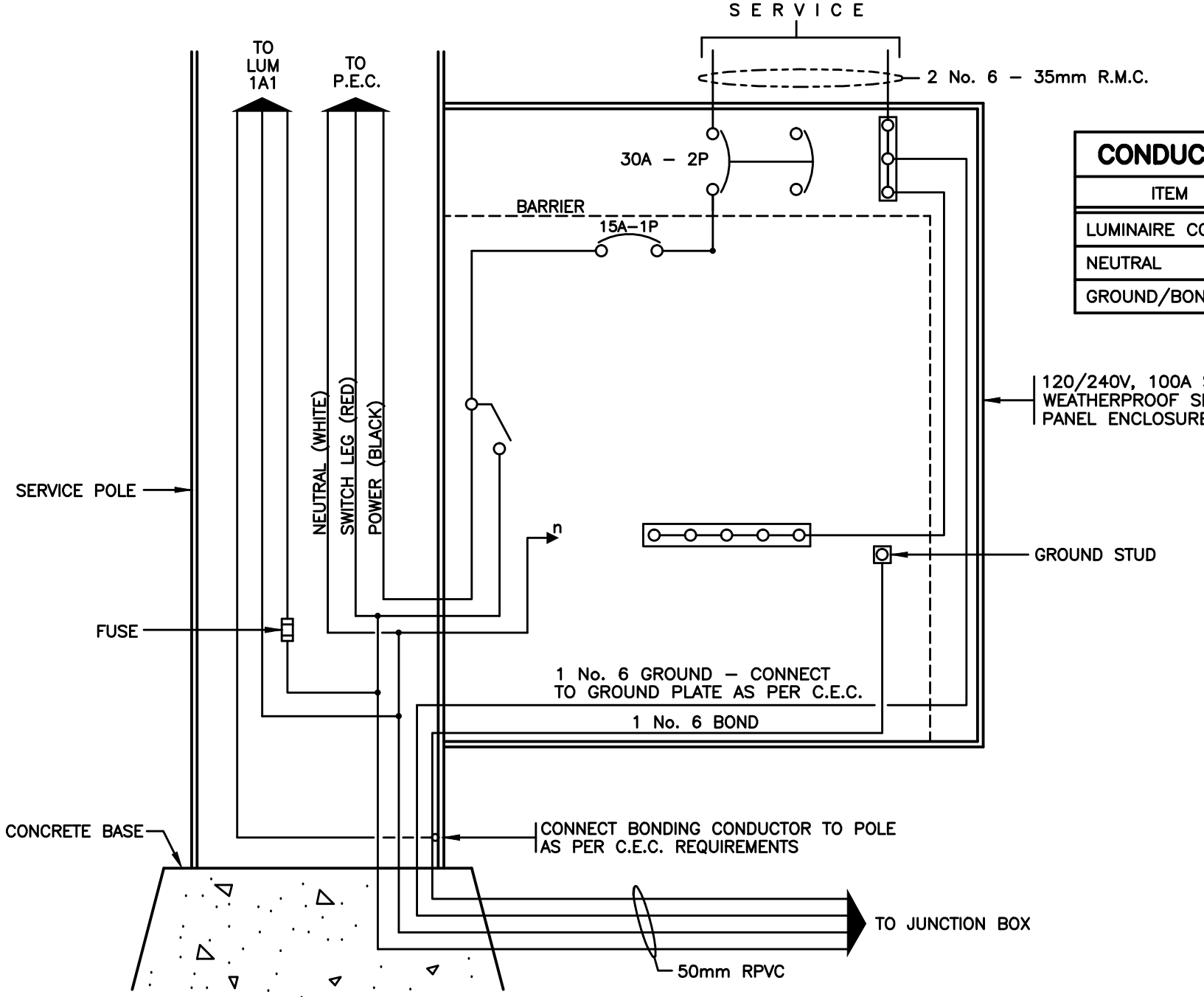
**ELEVATIONS**  
1:75

- NOTES**
- ALL WORK SHALL BE DONE IN ACCORDANCE WITH THE CURRENT STANDARD SPECIFICATIONS FOR HIGHWAY CONSTRUCTION AND THE ELECTRICAL SPECIAL PROVISIONS ISSUED WITH THIS CONTRACT.
  - CONDUCTORS FROM JUNCTION BOX TO LUMINAIRE POLE SHALL BE:  
2 No. 6 AL  
1 No. 6 AL — 50mm RPVC (UNLESS OTHERWISE NOTED)
  - ALL CONDUITS FROM JUNCTION BOXES TO BASES ARE TO BE 50mm RPVC.
  - JUNCTION BOXES SHALL BE POSITIONED BEHIND OR, AS AN ALTERNATIVE, TO THE SIDE, BUT NOT IN FRONT OF POLES.
  - LUMINAIRE NUMBERING EXAMPLE: 1A2 SERVICE No. - 1 CCT. LETTER - A LUM. No. - 2
  - WHERE POSSIBLE, POLES SHALL BE POSITIONED WITH THE HANDHOLE IN THE BACK OR IF NOT POSSIBLE, ON THE DOWNSTREAM TRAFFIC SIDE.
  - ALL CONCRETE BASES AND JUNCTION BOX SYMBOLS ARE NOT TO SCALE.
  - ALL NEW JUNCTION BOXES SHALL HAVE STEEL LIDS.
  - ALL CONDUCTORS SHALL BE RW90 STRANDED ALUMINUM UNLESS SHOWN OTHERWISE.
  - GROUND CONDUCTOR SHALL BE RW90 STRANDED COPPER.
  - SECURITY BOLTS REQUIRED FOR ALL HANDHOLE COVERS
  - ALL CONNECTIONS FOR STREET LIGHTING CONDUCTORS IN POLE HANDHOLES SHALL BE COMPLETED WITH COMPRESSION BLOCK TYPE CONNECTIONS (BURNDY OR APPROVED EQUAL) RATED FOR THE USE WITH ALUMINUM TO COPPER CONNECTIONS. ALL CONNECTIONS ARE TO HAVE "PENETROX" ELECTRICAL JOINT COMPOUND.
  - ALL LED LUMINAIRES SHALL BE PROVIDED WITH LAMP WATTAGE LABEL (BLACK LETTERING ON WHITE BACKGROUND) TO NEMA STANDARDS.

**LED LUMINAIRE PRODUCT LIST**

MANUFACTURER	MODEL No.	WATTAGE	DISTRIBUTION TYPE	QUANTITY
ACUITY AUTOBAHN ATB0	129W LED 1300mA 4000K	129W	R3	4
ATB0	30BLEDE13 MVOLT R3 NL			

- LED LUMINAIRE LEGEND**
- XXX ← LUMINAIRE NUMBERING, SEE NOTE #7
  - XXXX ← WATTAGE
  - LED ← LIGHT SOURCE
  - (RX) ← DISTRIBUTION TYPE (OPTICS)
- \* ALL NEW LUMINAIRES SHALL BE LED



**WIRING DIAGRAM - SERVICE PANEL No. 1**  
N.T.S.

**CONDUCTOR COLOUR CODE**

ITEM	CONDUCTOR COLOUR
LUMINAIRE CCT. A	RED
NEUTRAL	WHITE
GROUND/BOND	GREEN

**ALL EQUIPMENT IS NEW EXCEPT WHERE NOTED**

**NOT FOR CONSTRUCTION**  
2016-07-21

**ALL DIMENSIONS ARE IN MILLIMETERS EXCEPT WHERE NOTED**

**POSTED SPEED LIMIT 80 km/h ON HIGHWAY 1**

**SEE "STANDARD SPECIFICATIONS FOR HIGHWAY CONSTRUCTION" FOR APPLICABLE STANDARD DRAWINGS**

**LEGEND**

	FUTURE CONCRETE BASE AND LUMINAIRE POLE (SINGLE)		PEC PHOTO ELECTRIC CELL		RAISED CURB
	LUMINAIRE POLE (SINGLE) 'F' DENOTES FRANGIBLE BASE		RPVC RIGID P.V.C. CONDUIT		PROPERTY LINE
	LUMINAIRE POLE (DOUBLE)		R.C. RIGID STEEL CONDUIT		EDGE OF GRAVEL SHOULDER
	PRIVATE LUMINAIRE (BASE VARIABLE)		F.C. FLEXIBLE CONDUIT (LIQUID TIGHT)		EDGE OF PAVEMENT
	POST TOP MOUNTED LUMINAIRE		OVERHEAD FLASHING BEACON		PAINT LINE
	WALL MOUNTED LUMINAIRE		POST MOUNTED FLASHER		FUTURE ELECTRICAL AND GEOMETRICS
	10 JUNCTION BOX - No. DENOTES TYPE		BACKGUY		ELECTRICAL EQUIPMENT TO BE REMOVED
	CJB CONCRETE JUNCTION BOX OR VAULT		POWER POLE		PROPOSED UNDERGROUND CONDUIT
	SIGNAL POLE WITH SIGNAL HEAD MOUNTED ON SIDE		TELEPHONE POLE		EXISTING UNDERGROUND CONDUIT
	COMBINATION LUMINAIRE/TRAFFIC SIGNAL POLE		POWER/TELEPHONE POLE		FENCE
	ILLUMINATED SIGN WITH AMBER FLASHERS		A.B., A1, A2(T) SIGNAL HEAD VEHICLE PHASE (T) DENOTES TUNNEL VISOR		CORRUGATED METAL PIPE (CULVERT)
	COMBINATION LUMINAIRE/ILLUMINATED SIGN WITH AMBER FLASHERS		PA, PB, PA1, PB2 SIGNAL HEAD PEDESTRIAN PHASE		U/G UTILITY:
	SIGN POLE (NON-ILLUMINATED)		ppb PEDESTRIAN PUSHBUTTON		'G' DENOTES GAS
	ILLUMINATED SIGN POLE				'S' DENOTES STORM DRAINS/SEWERS
	COMBINATION LUMINAIRE/NON-ILLUMINATED SIGN				'W' DENOTES WATER
	COMBINATION LUMINAIRE/ILLUMINATED SIGN				'E' DENOTES ELECTRIC
					'T' DENOTES TELEPHONE
					'SAN' DENOTES SANITARY SEWER
					TEST SWITCH
					BREAKER
					NEUTRAL BAR
					DIAMOND DETECTOR LOOP (WITH LOOP LEADER)
					PRE-FORMED DETECTOR LOOP
					ROUND DETECTOR LOOP
					RECTANGULAR COUNT LOOP
					QUADRANGLE DETECTOR LOOP

**DMD & Associates Ltd.**  
#12-17358 104A Avenue, Surrey, BC, Canada V4N 5M3  
www.dmdeng.com Fax 604/589-9010  
office@dmdeng.com  
DMD PROJECT No. 5443-16-05 of 05

**BRITISH COLUMBIA**  
The Best Place on Earth

**MINISTRY OF TRANSPORTATION AND INFRASTRUCTURE**  
ELECTRICAL ENGINEERING CENTRE

CAD FILENAME: 160421.dwg

REV	DATE	REVISIONS	DRAWN
	JUL16	DRAWING ISSUED	

**LIGHTING INSTALLATION**  
HIGHWAY 1 AT McCURDY ROAD AND STA.135+80.0  
VICTORIA

**SITE PLAN - ELEVATIONS - NOTES - WIRING DIAGRAM**

DESIGNED	KGS	DATE	JUL16
QUALITY CONTROL	DSM	DATE	JUL16
QUALITY ASSURANCE	DSM	DATE	JUL16
TRAN ELECTRICAL DESIGN REVIEW		DATE	

SHEET NUMBER: 1 OF 1  
DRAWING NUMBER: TE-16042-1

CANCEL PRINTS BEARING PREVIOUS LETTER